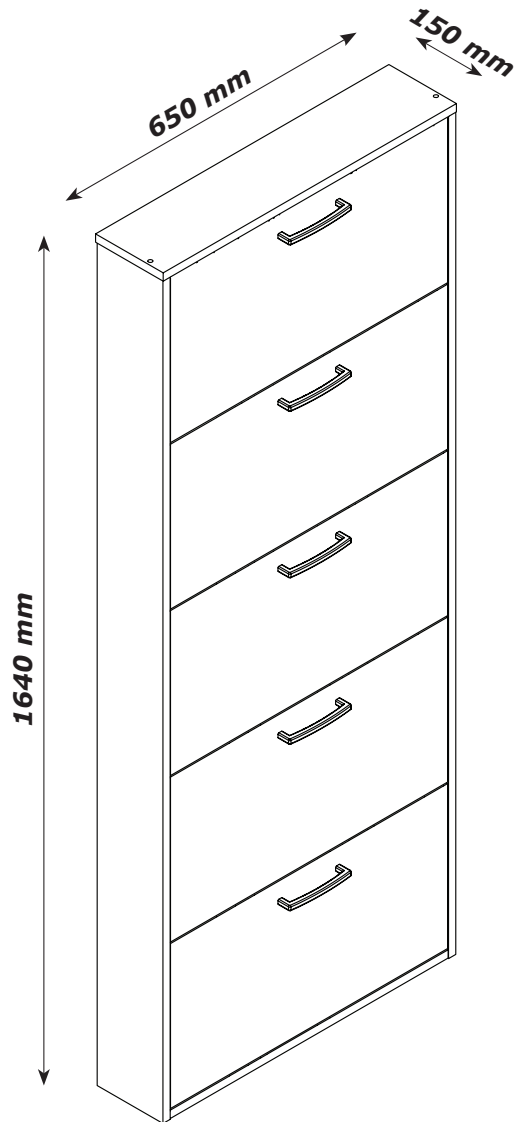
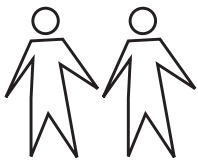


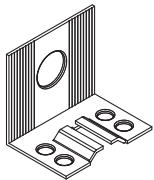
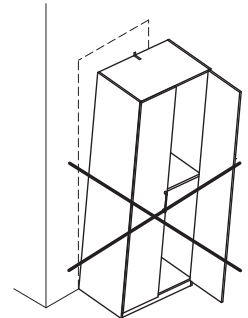
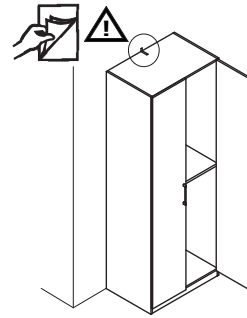
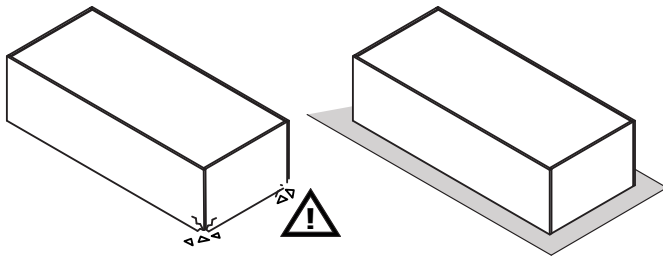
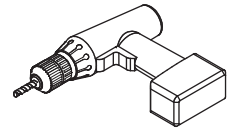
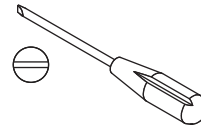
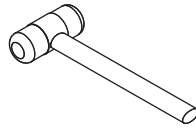
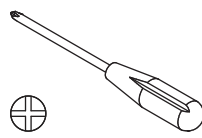
SC1307K56206



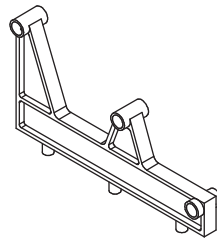
QF5328



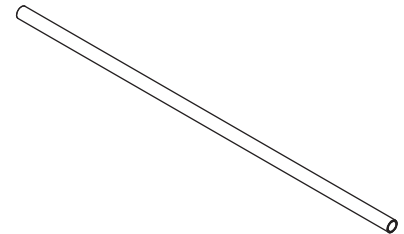
1,5h



H16
x1

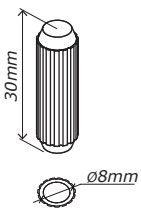


W2
x10



W435
x15

BU4392



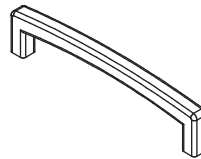
H1
x4



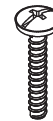
G157
x2



H106
x1



M72
x5



V25
x10



R18
x10



R28
x10



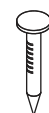
T7
x2



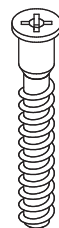
T28
x2



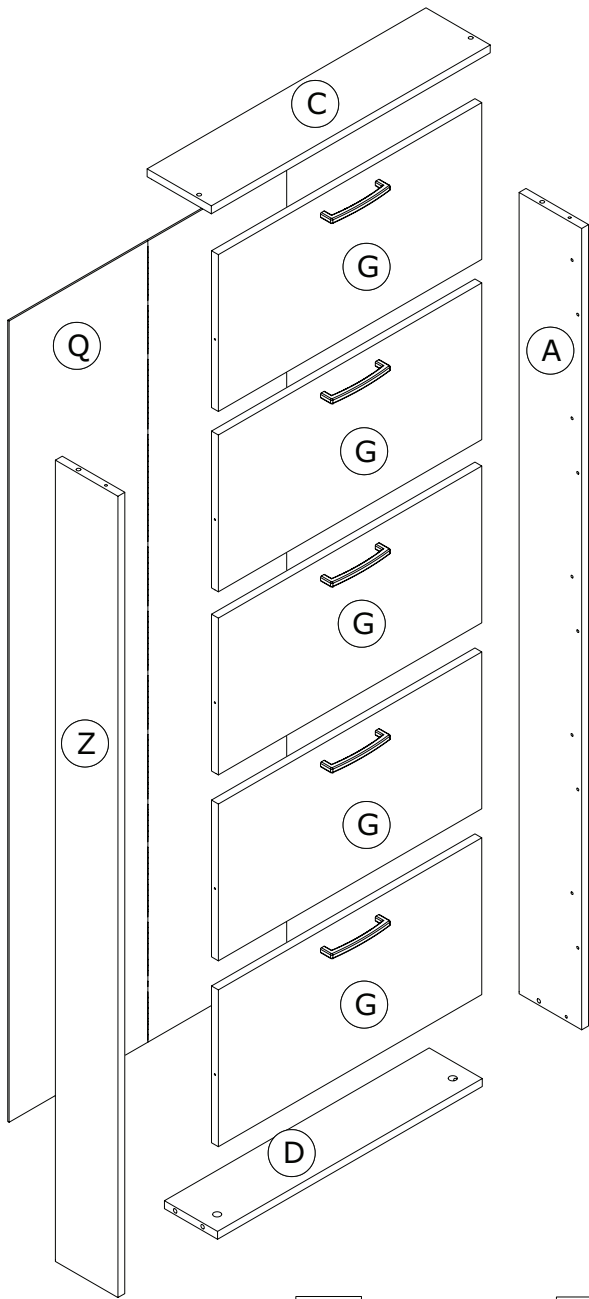
V10
x2



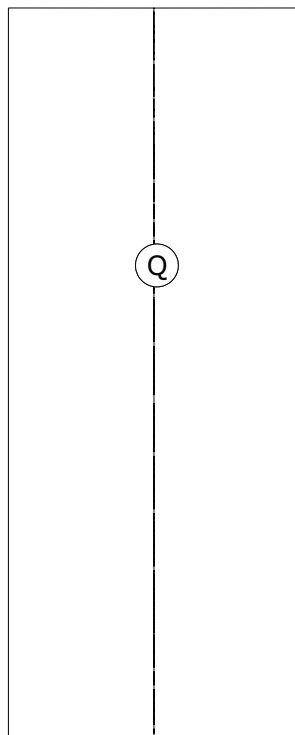
H15
x36



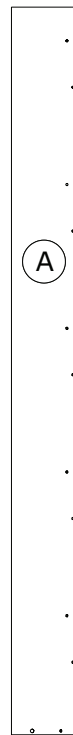
V45
x2



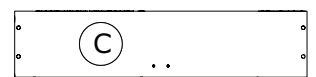
FI8814
1620x146x16mm



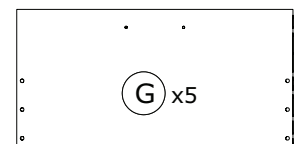
SH0721
1620x648x2mm



FI8813
1620x146x16mm



CA3642
651x150x16mm

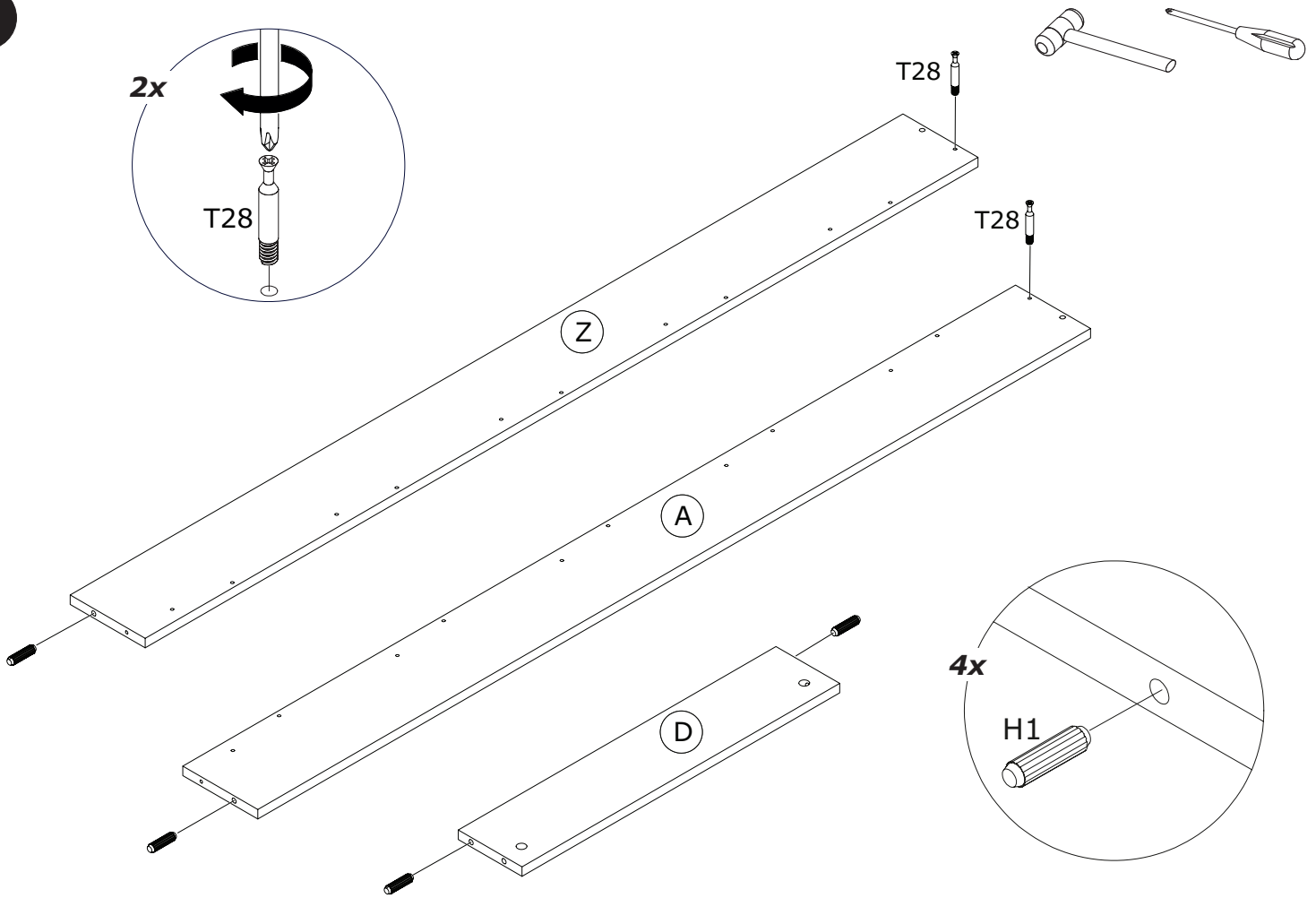


RI0425
615x317x16mm

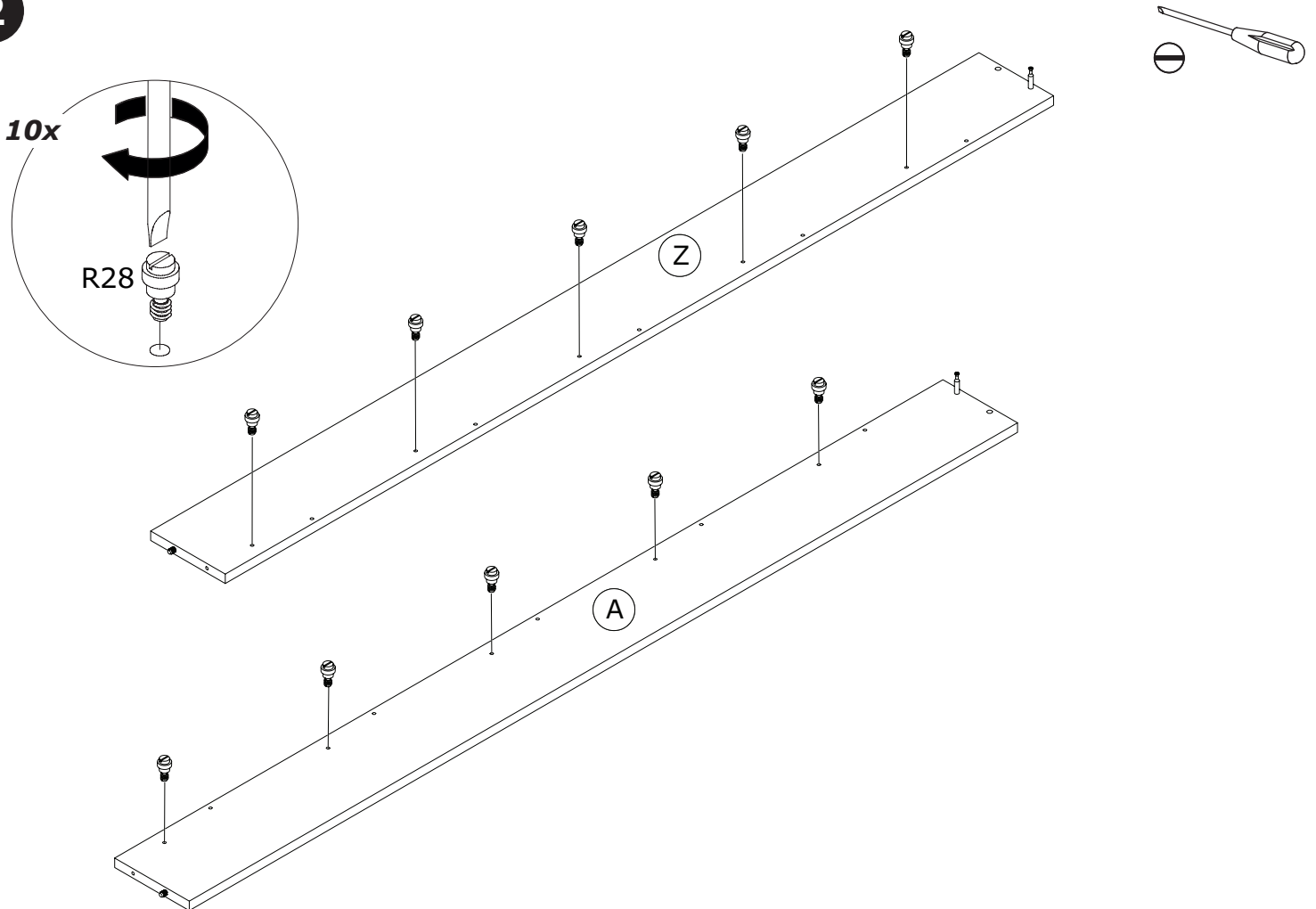


BA2226
618x124x16mm

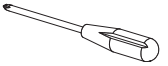
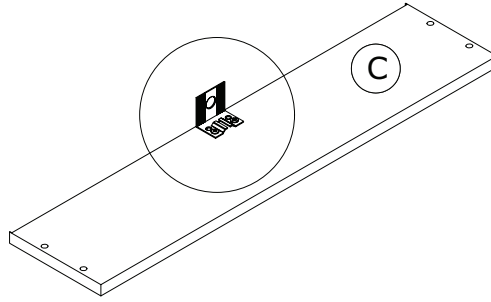
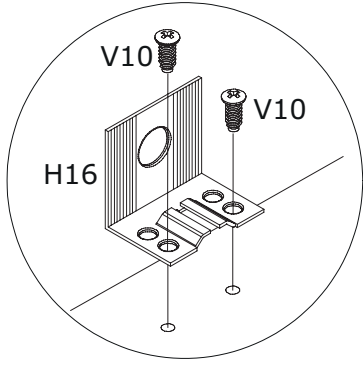
1



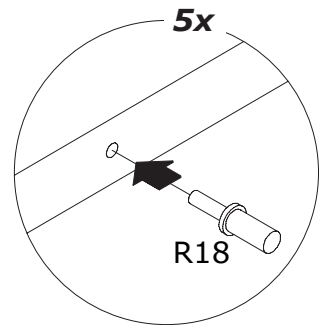
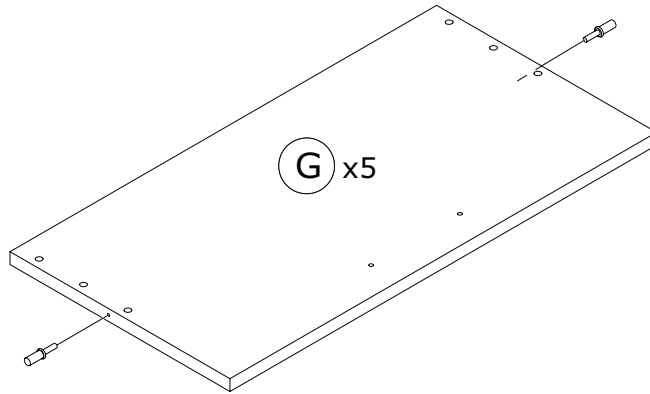
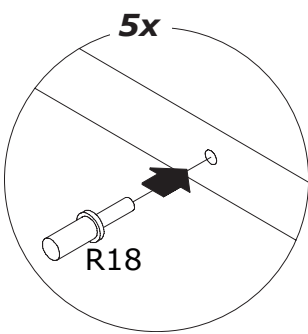
2



3

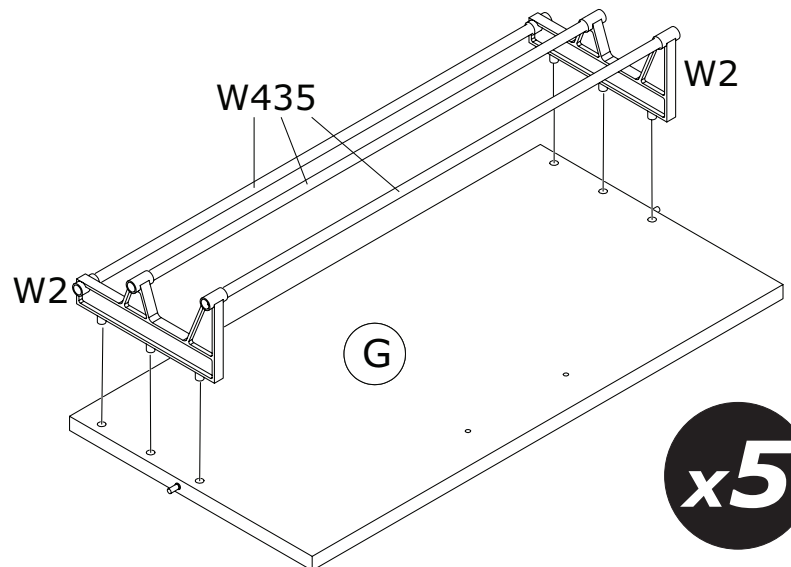
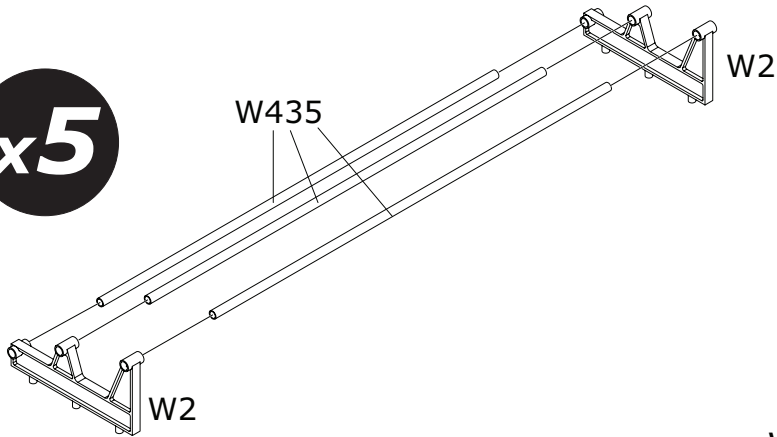


4



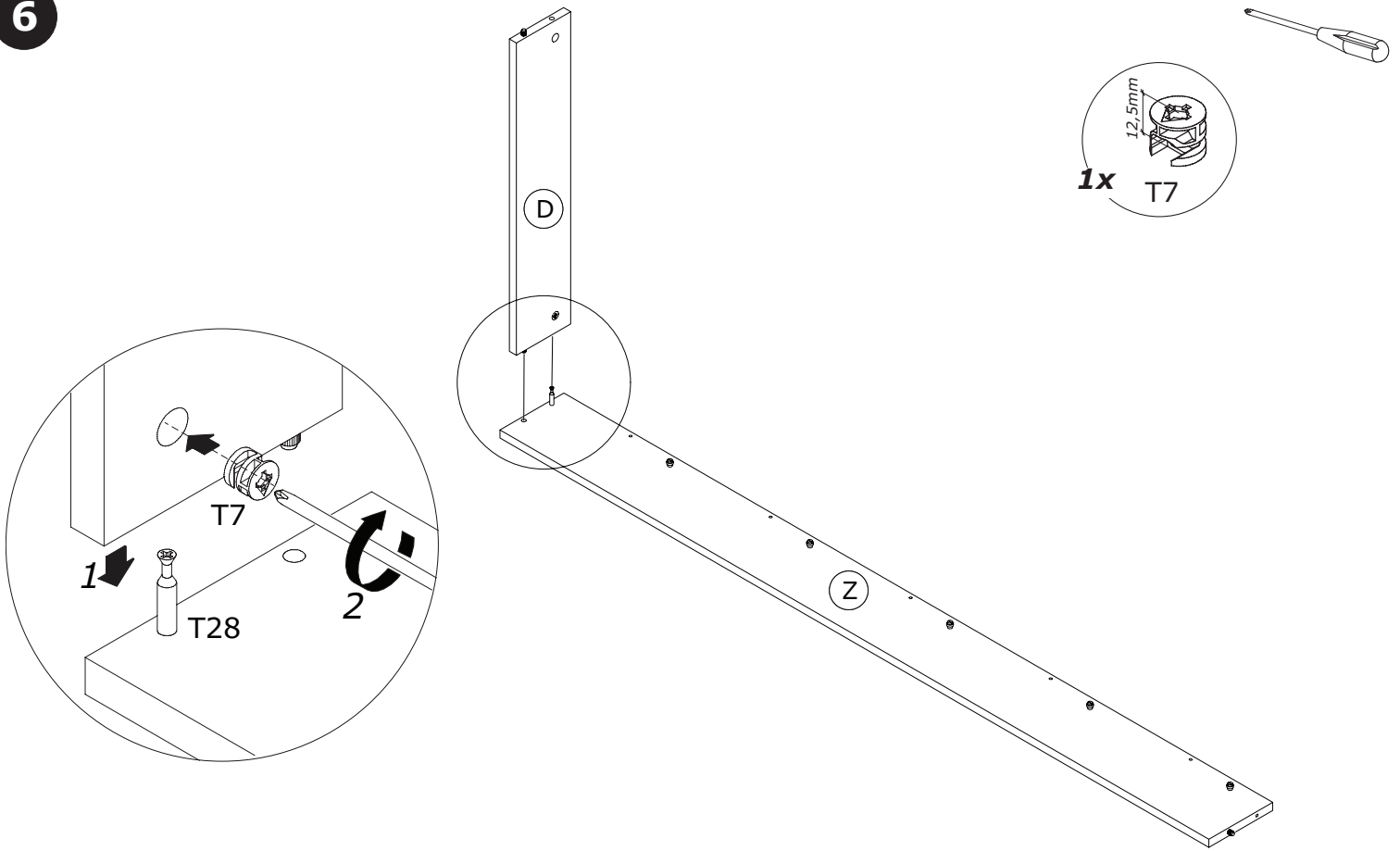
5

x5

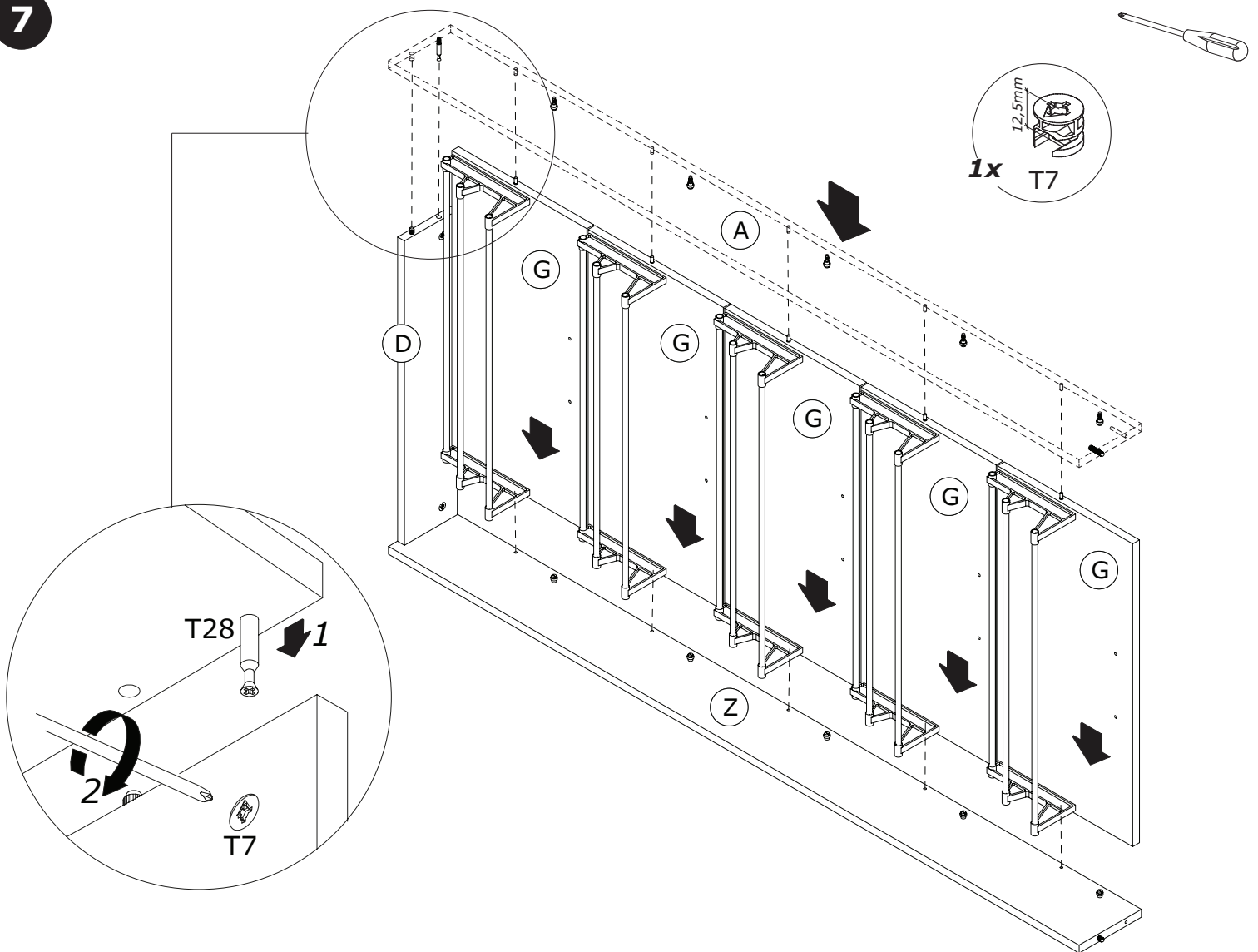


x5

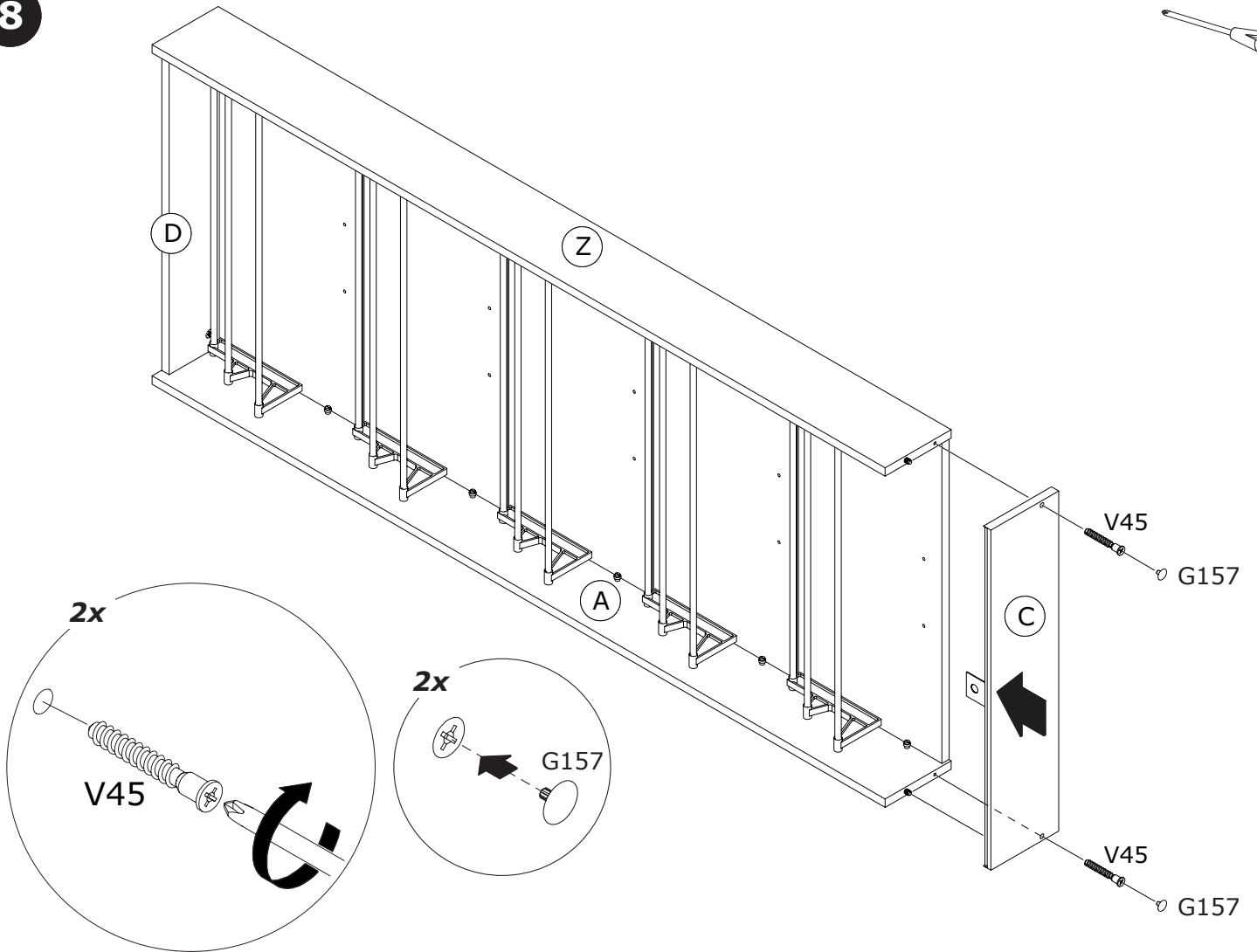
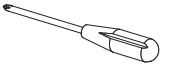
6



7



8



9

