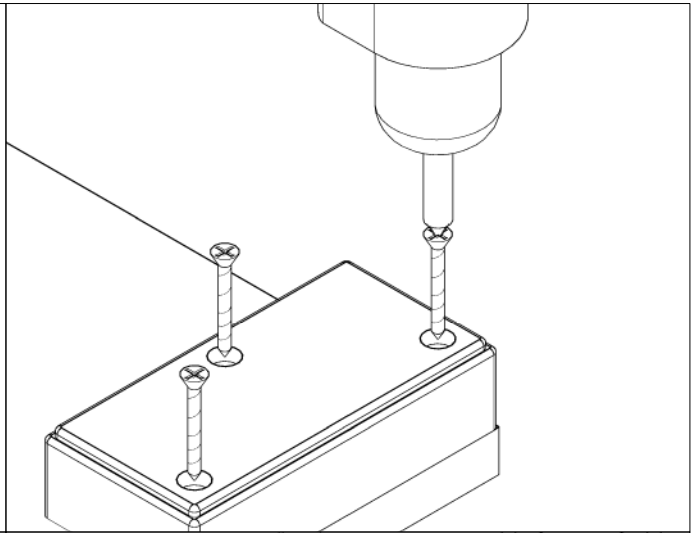
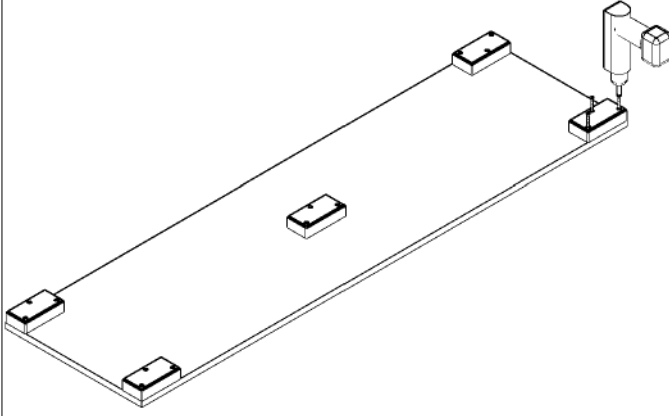
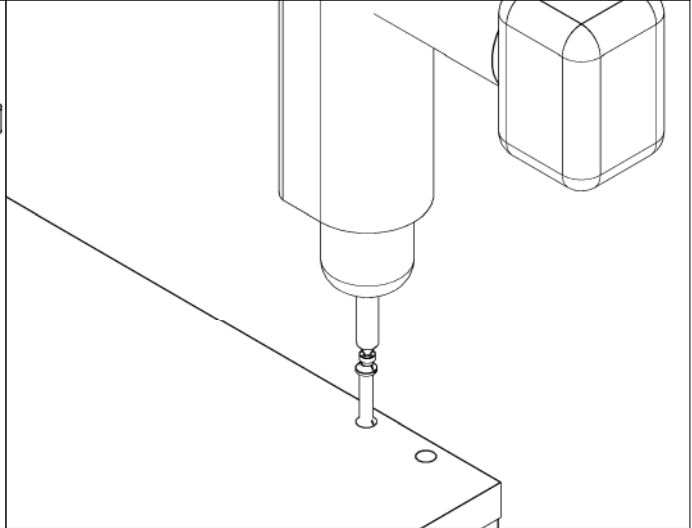
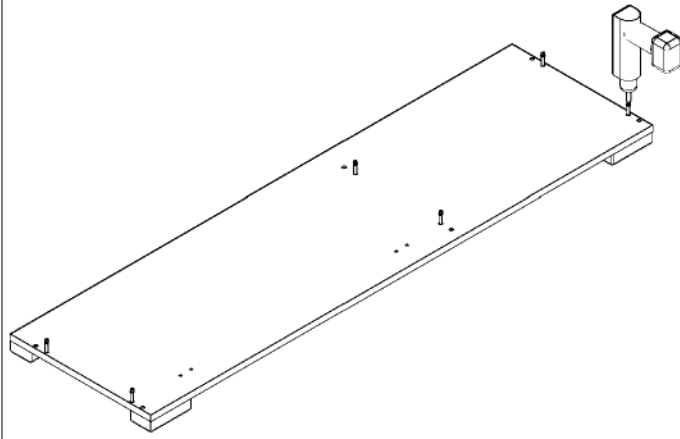


1

Base Panel

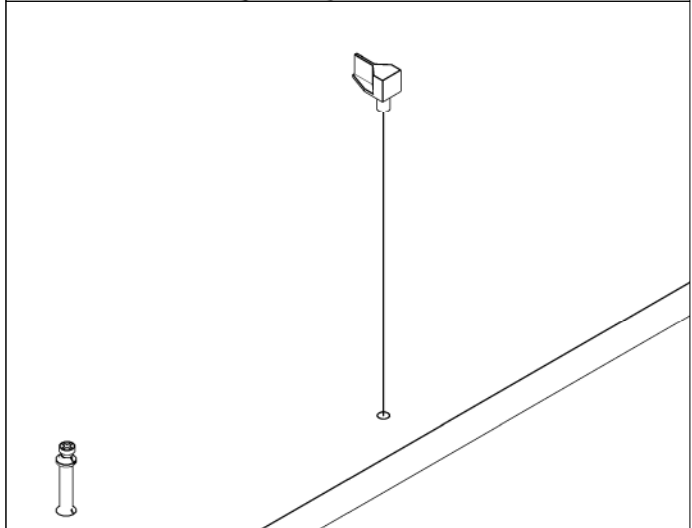
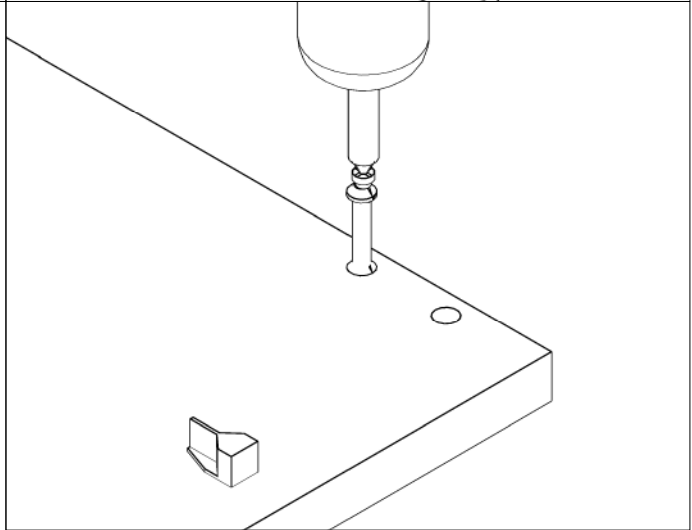
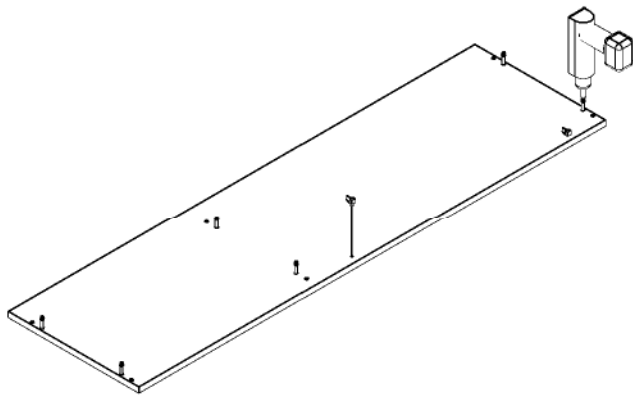


Base Panel



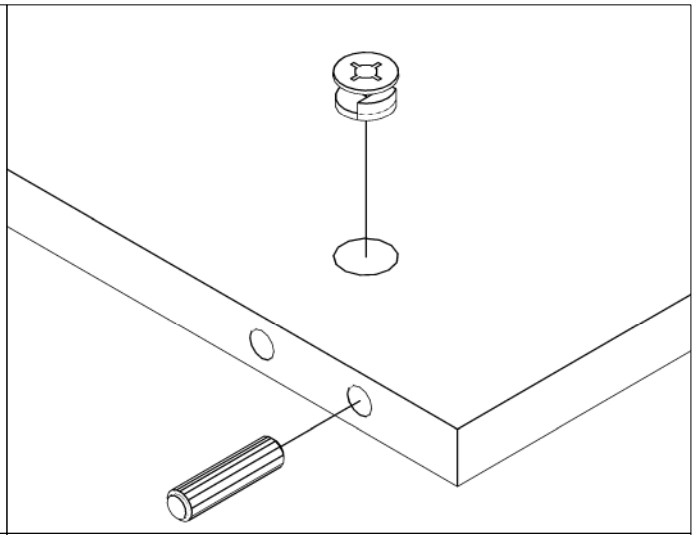
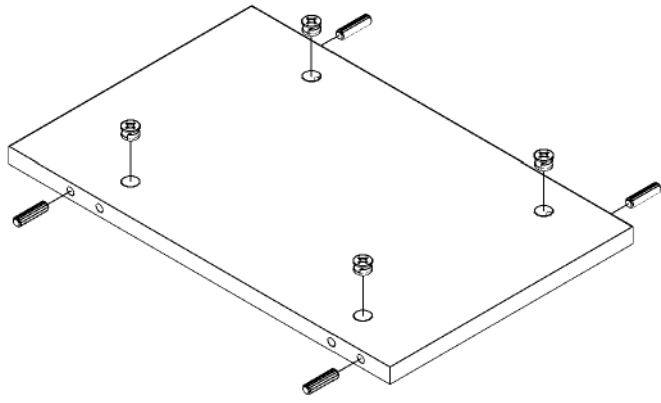
2

Top Panel



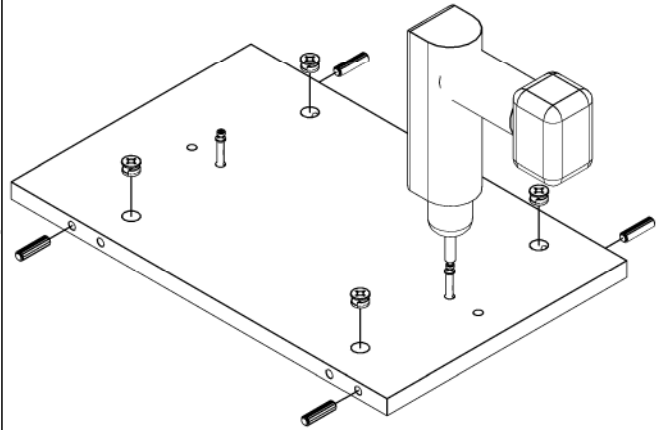
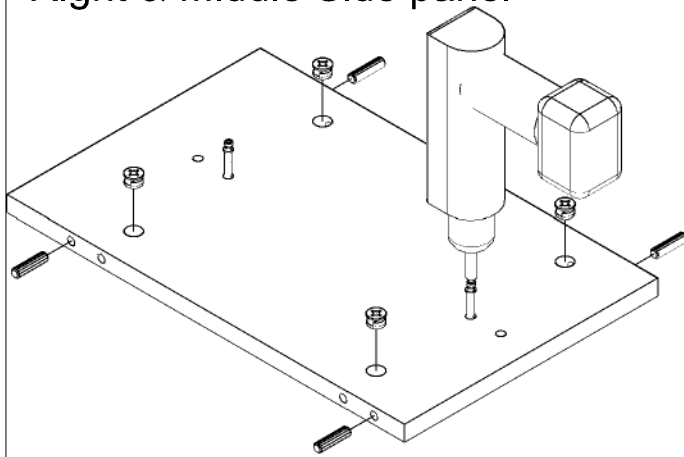
3

Left Side panel



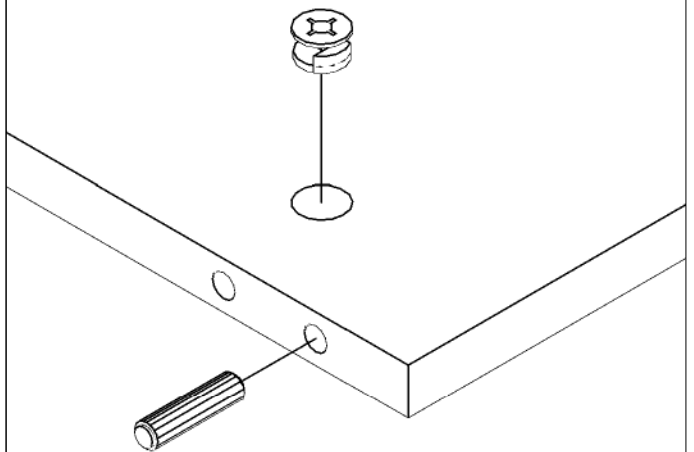
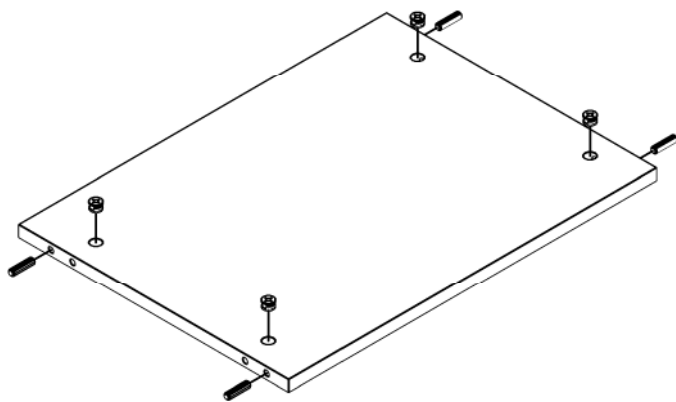
4

Right & Middle Side panel

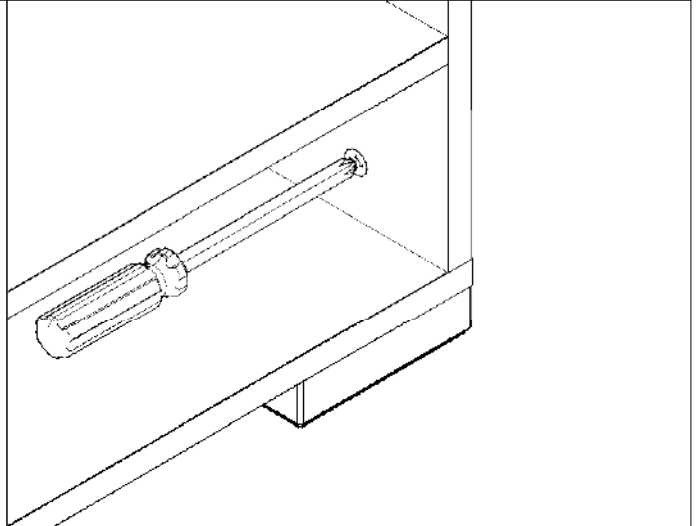
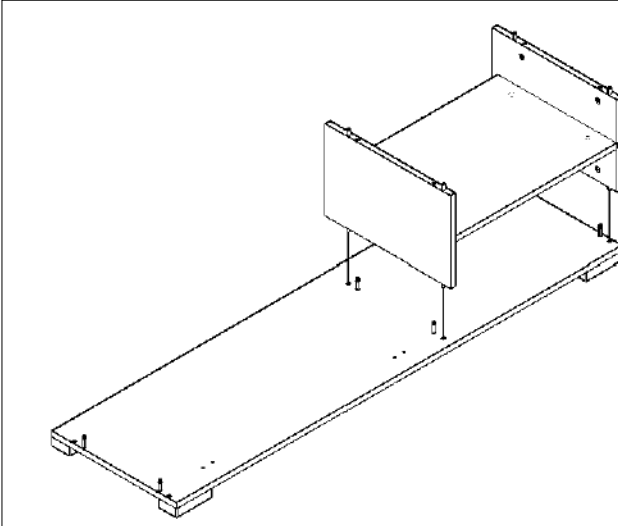
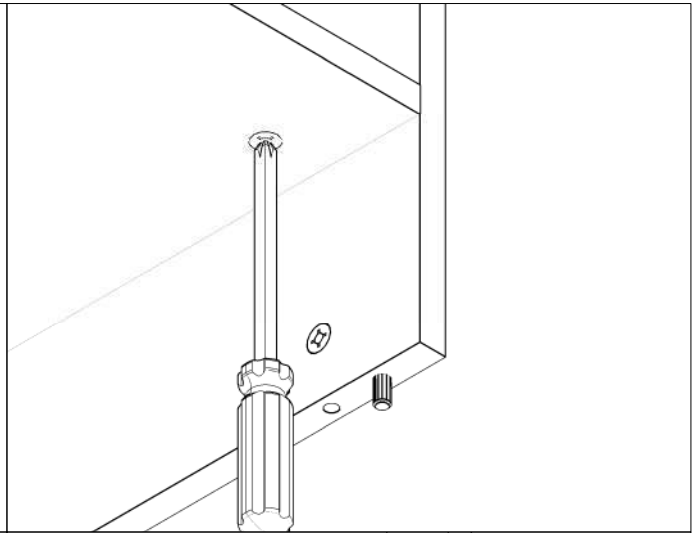
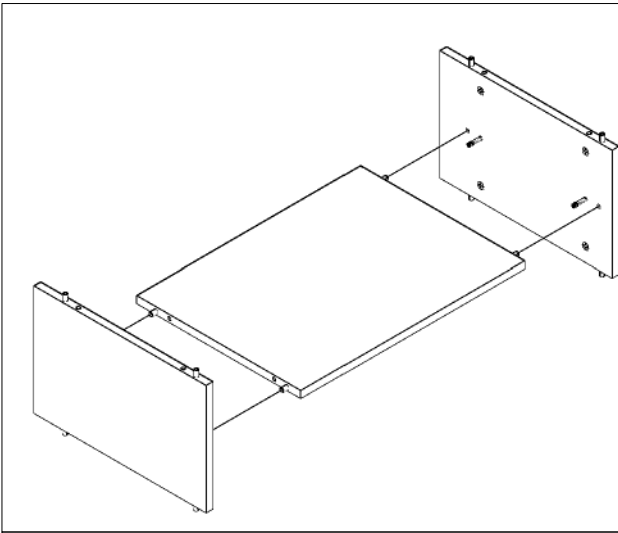


5

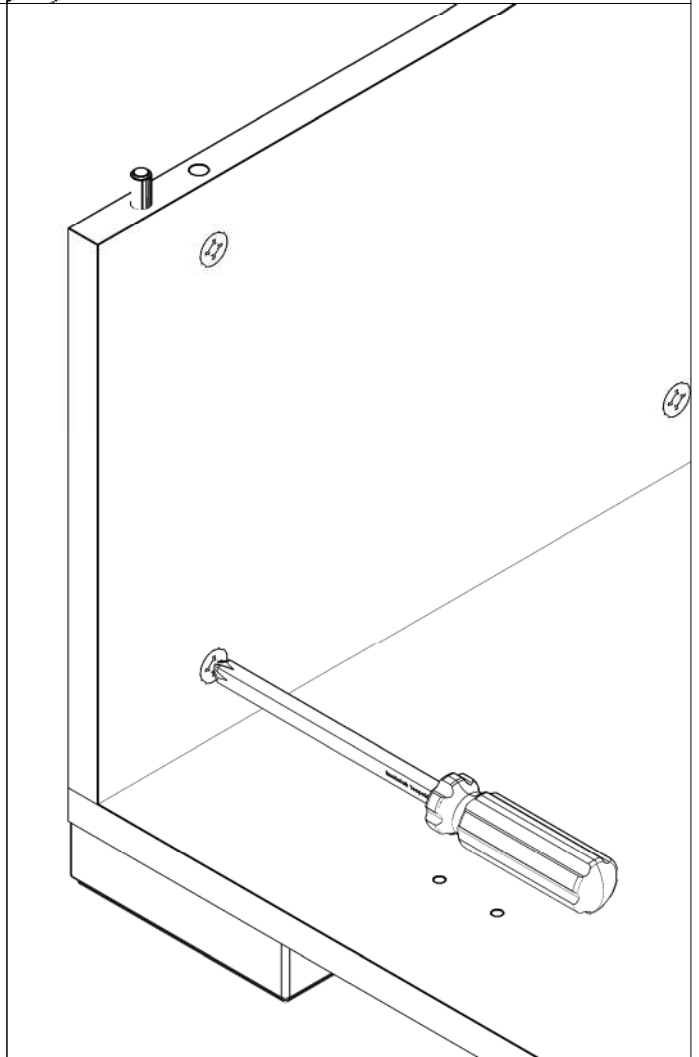
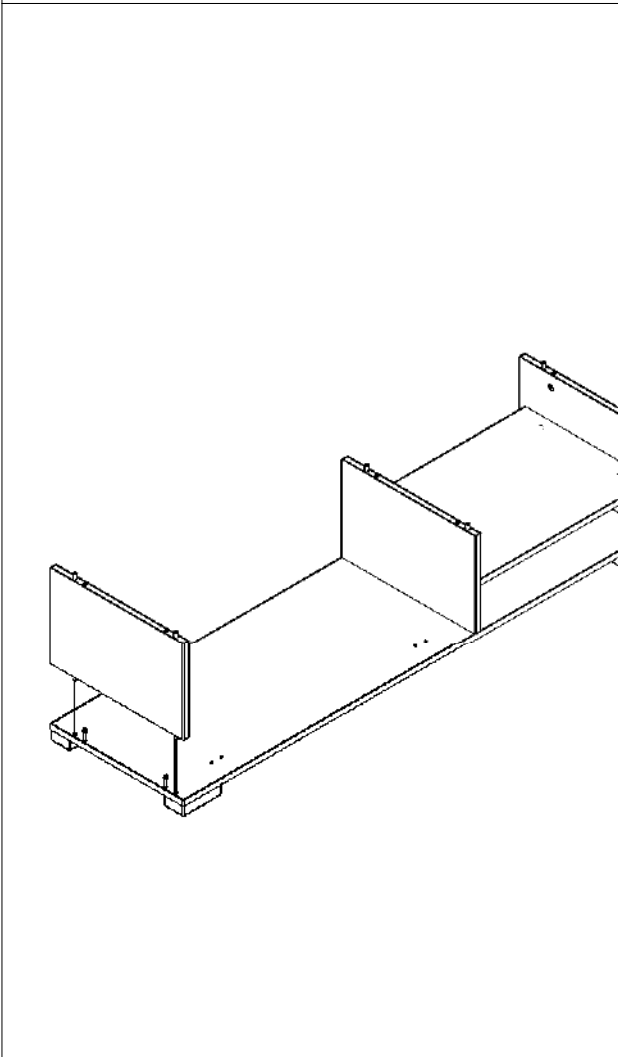
Shelve Panel



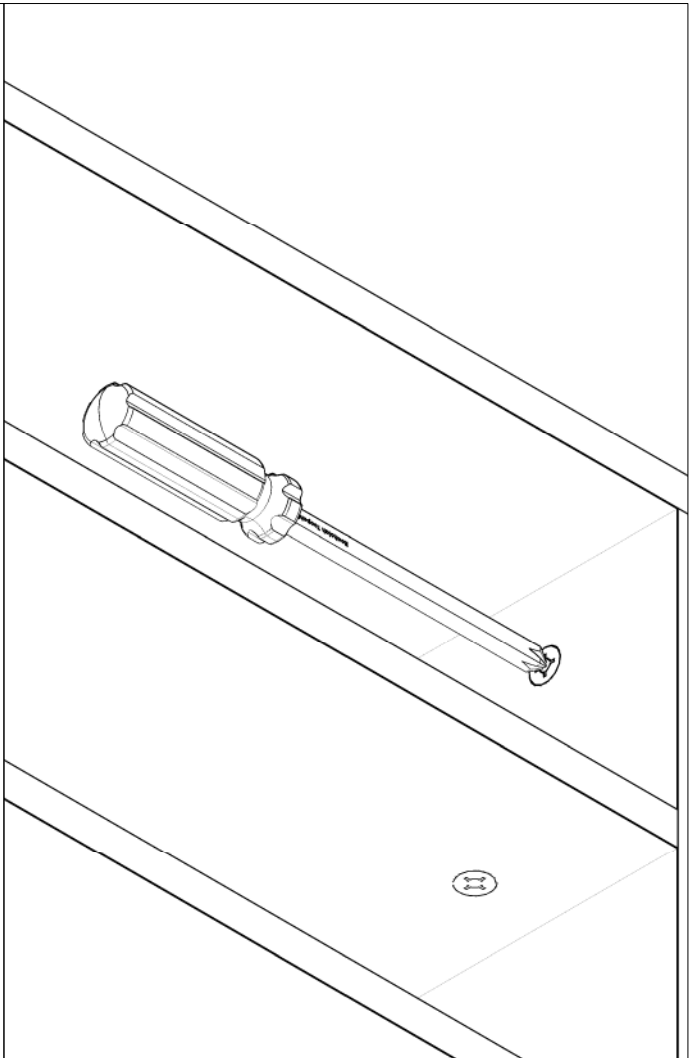
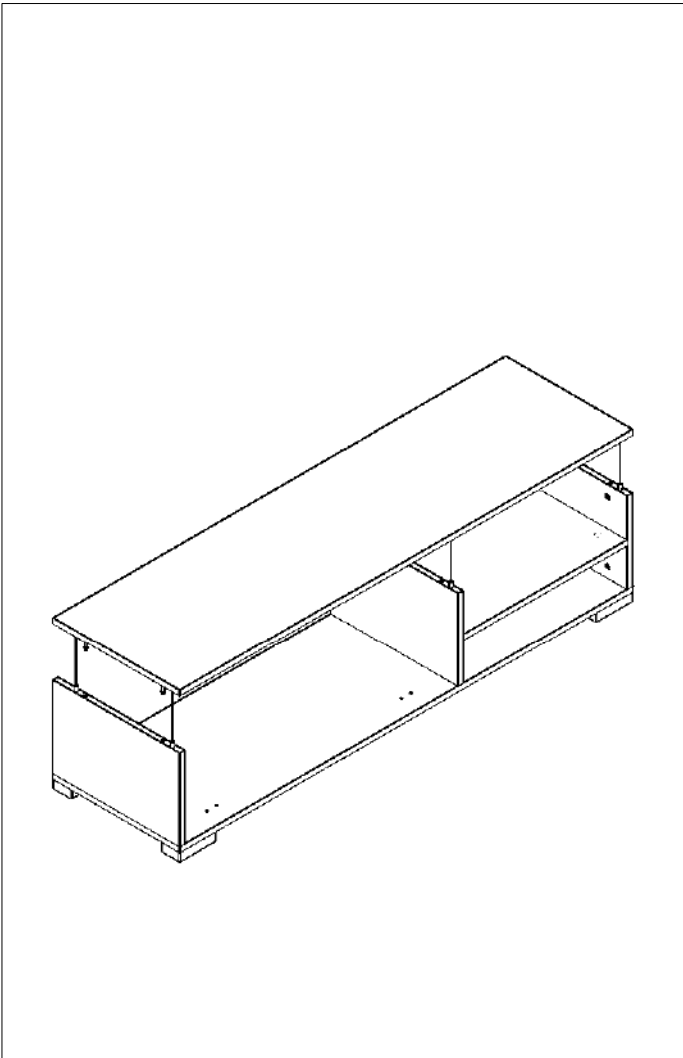
6



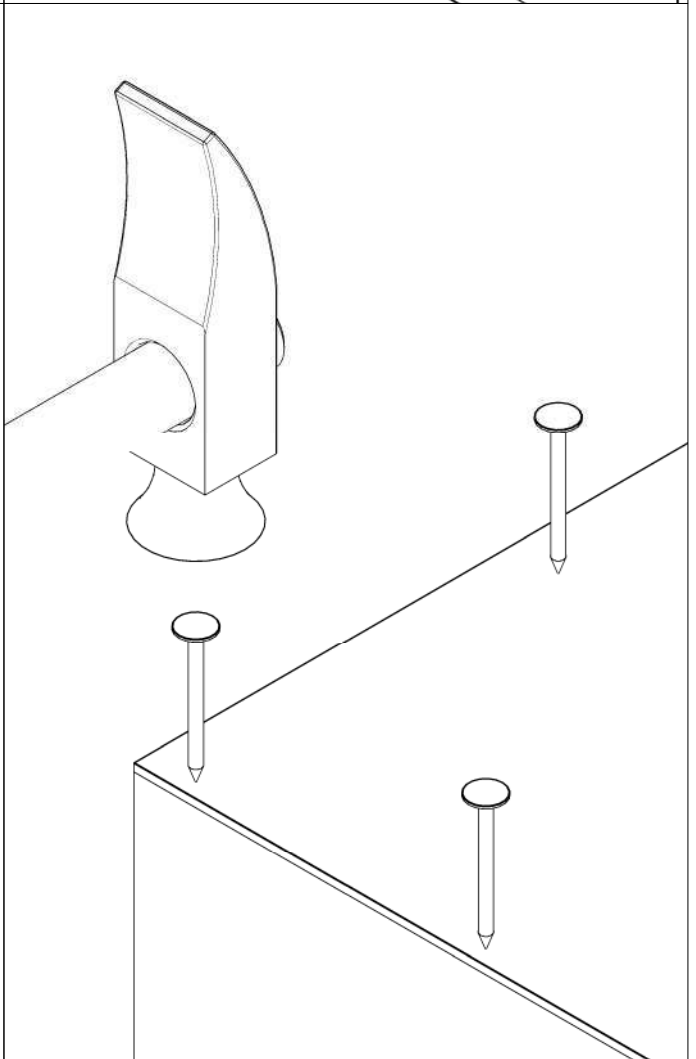
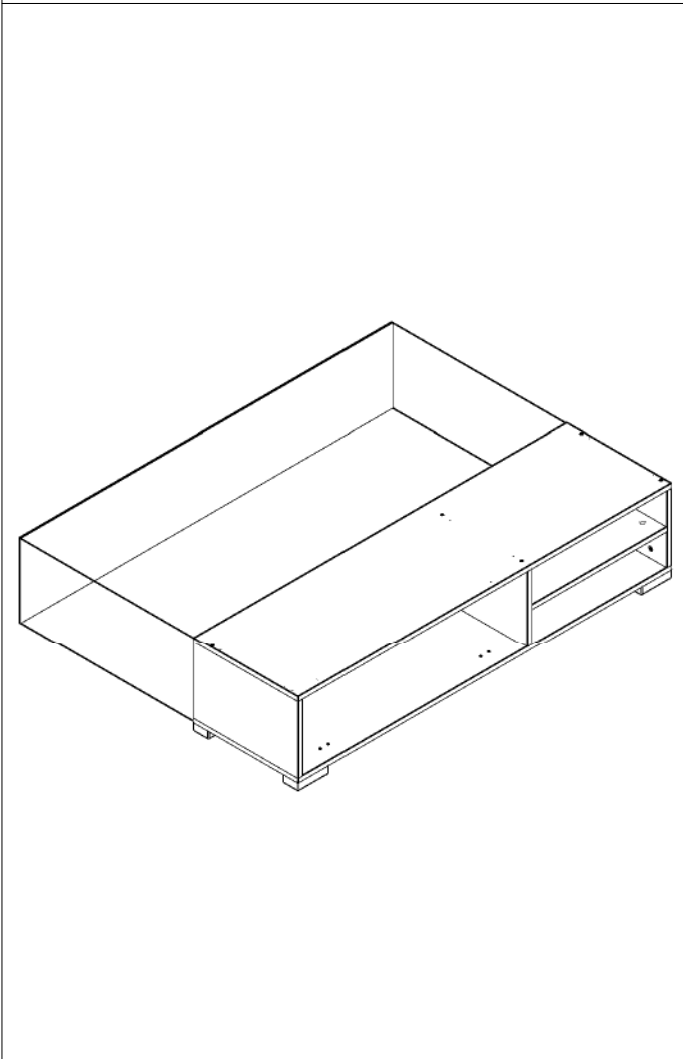
7



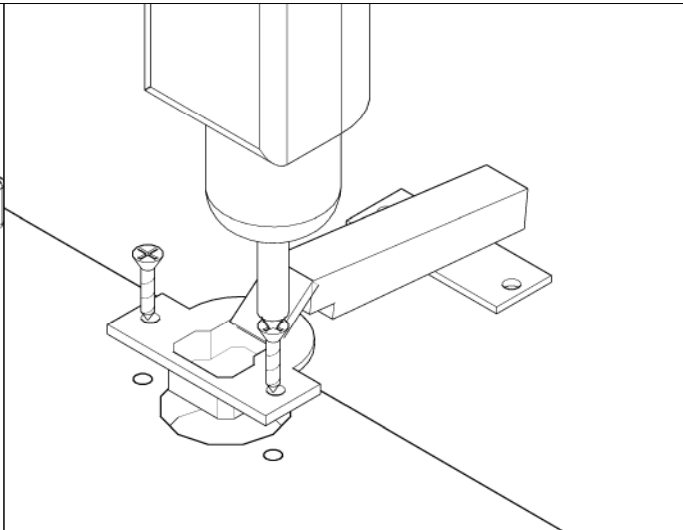
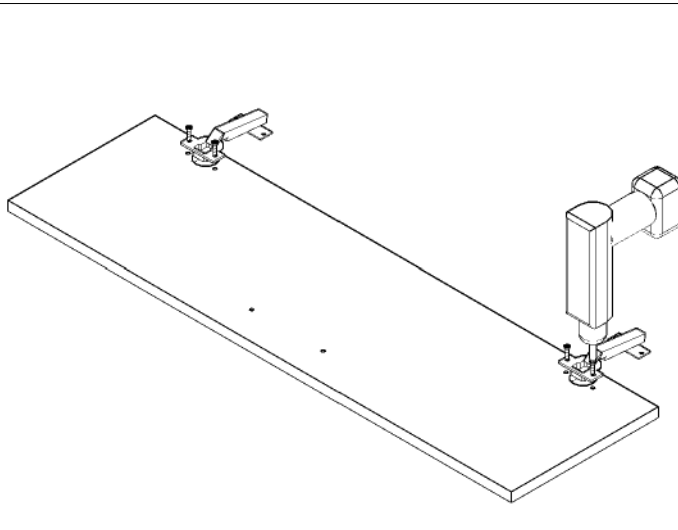
8



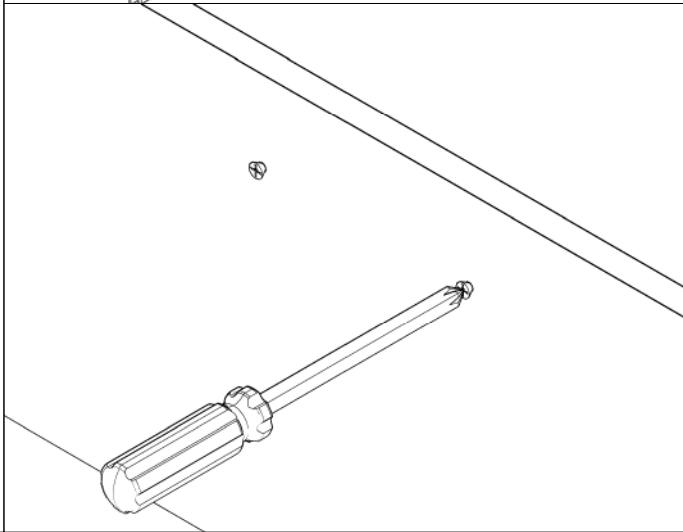
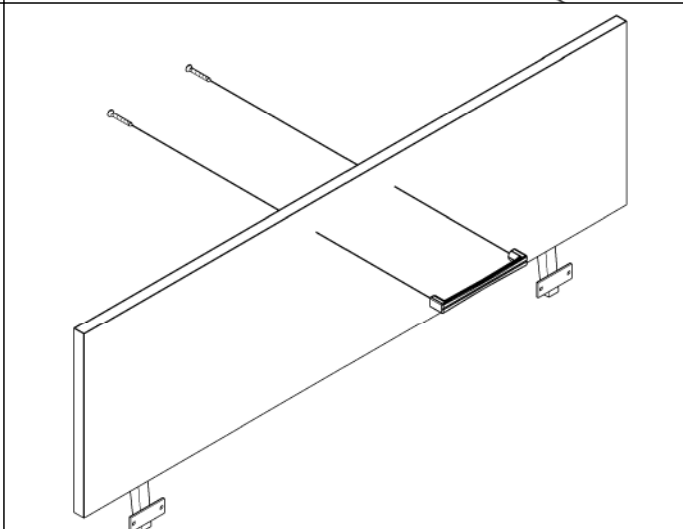
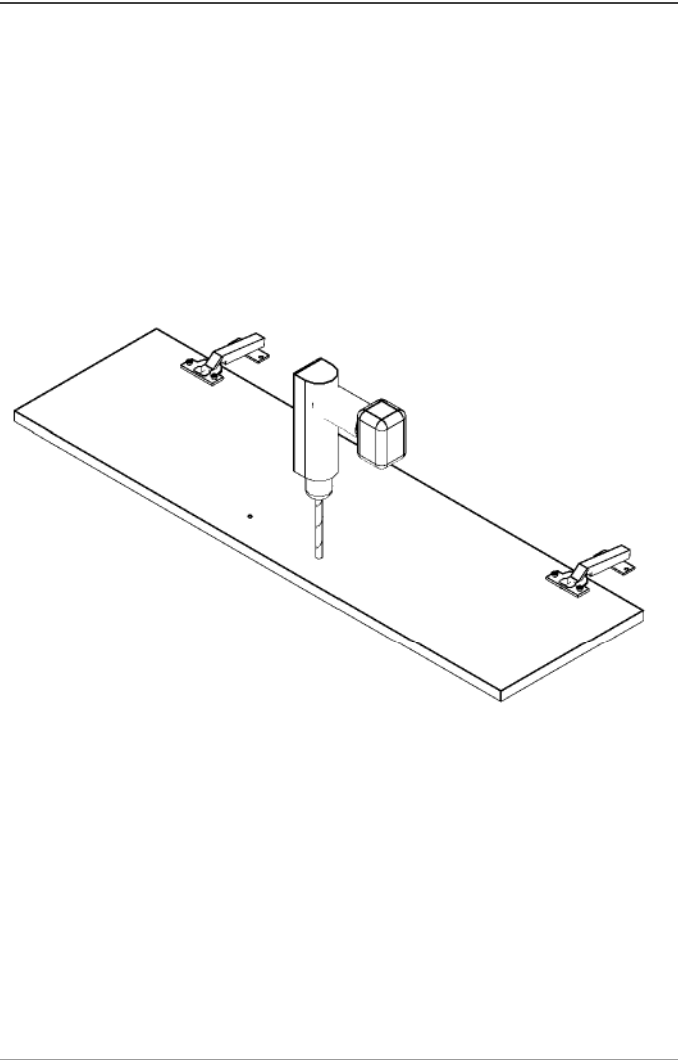
9



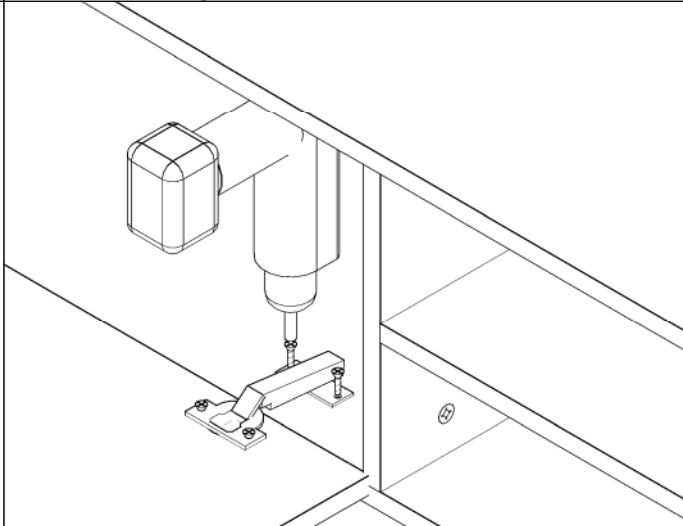
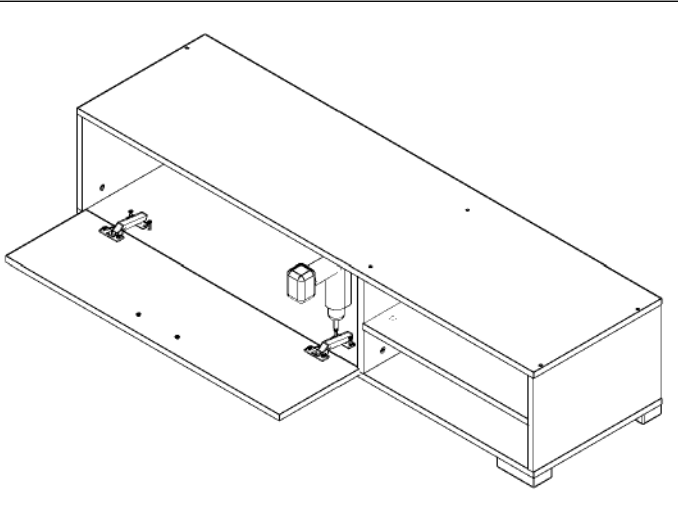
10

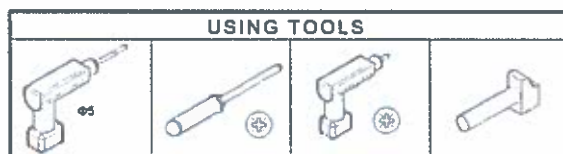
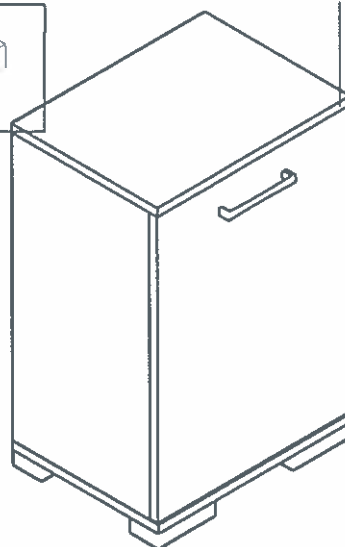
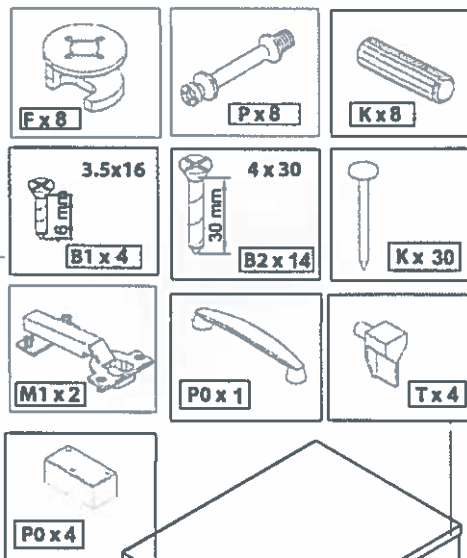
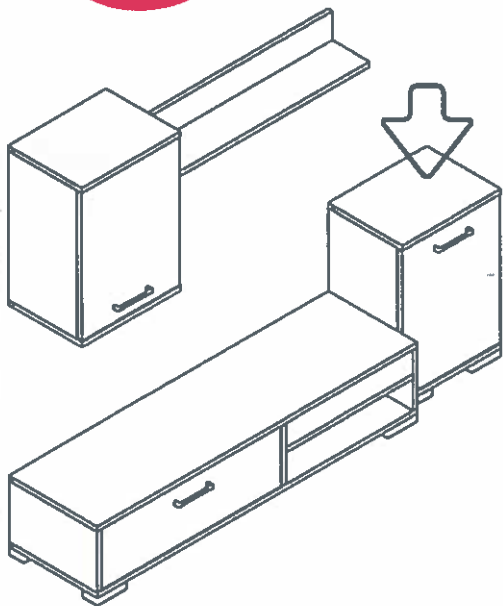


11



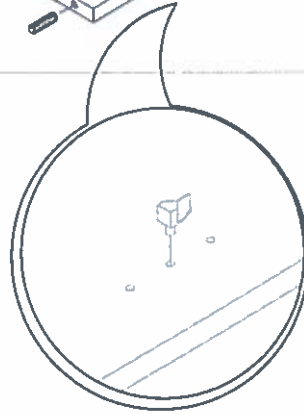
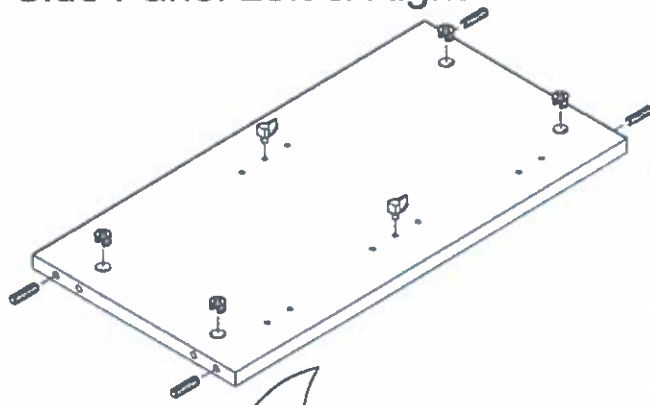
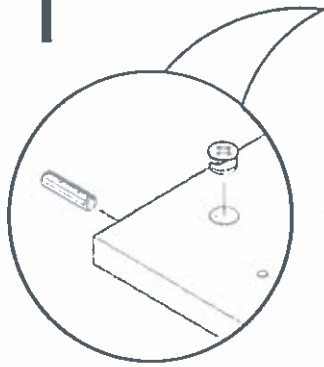
12





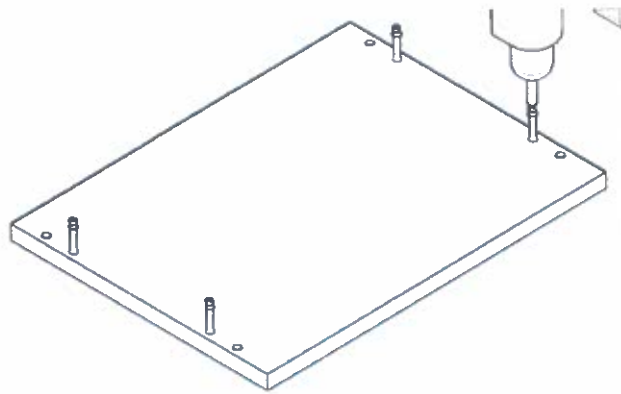
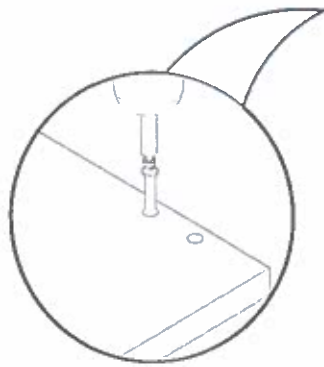
1

Side Panel Left & Right



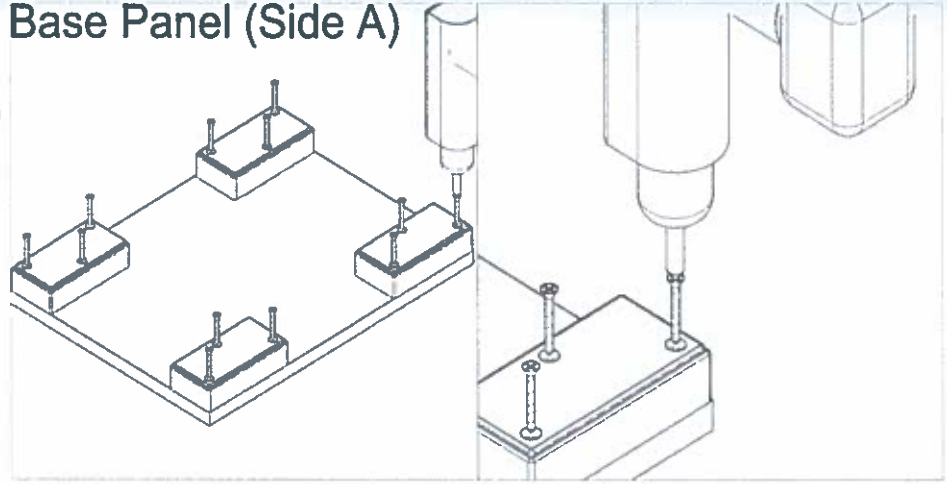
2

Top Panel



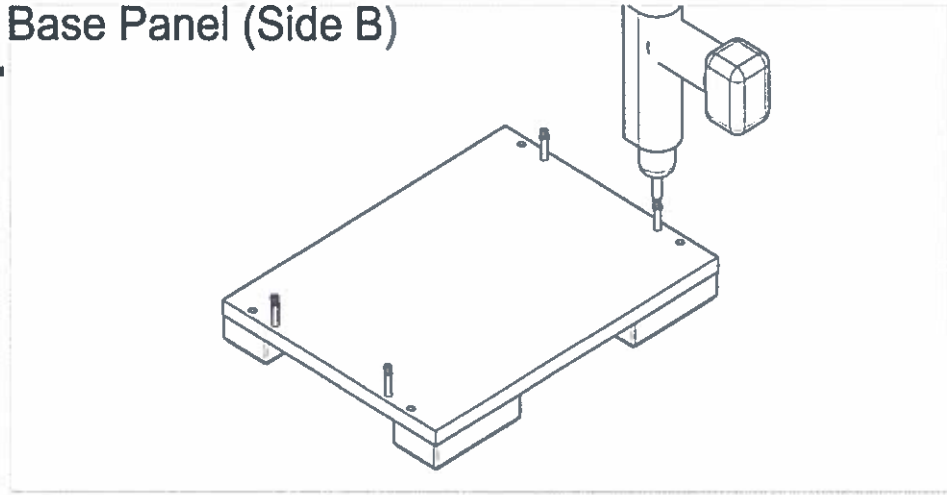
Base Panel (Side A)

3

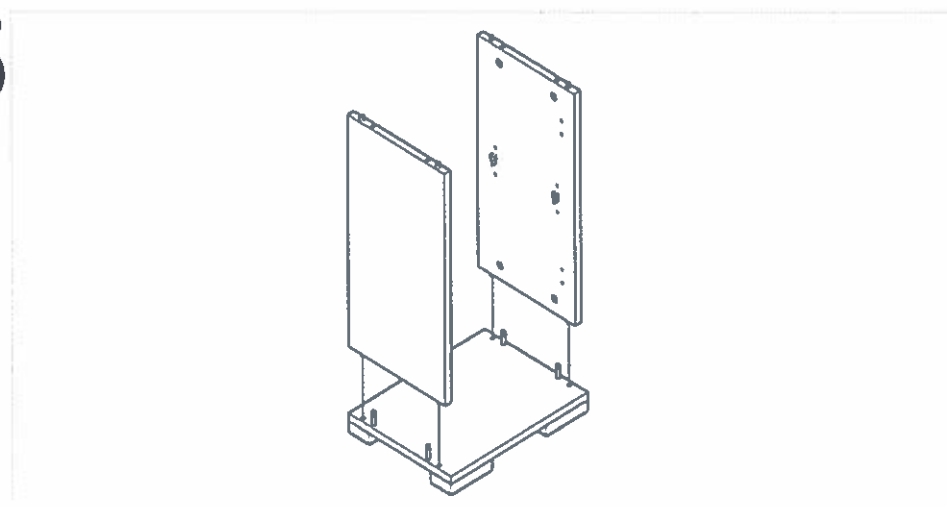


Base Panel (Side B)

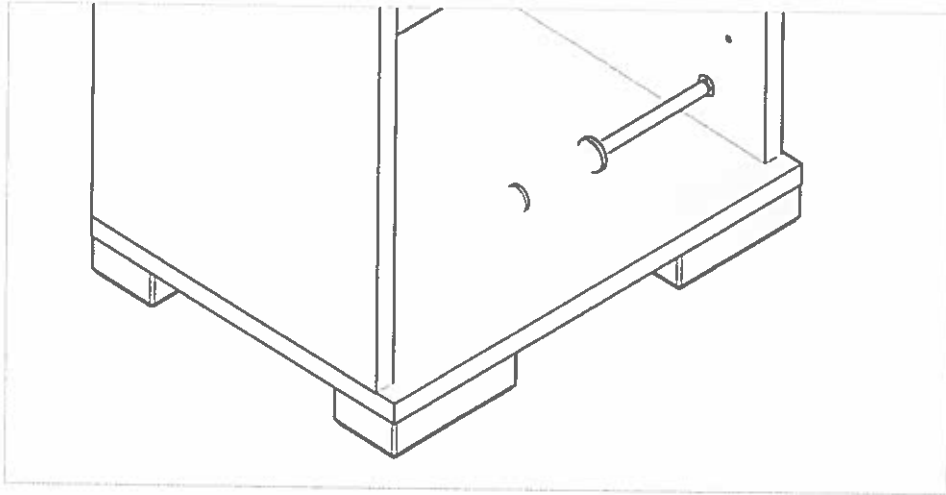
4



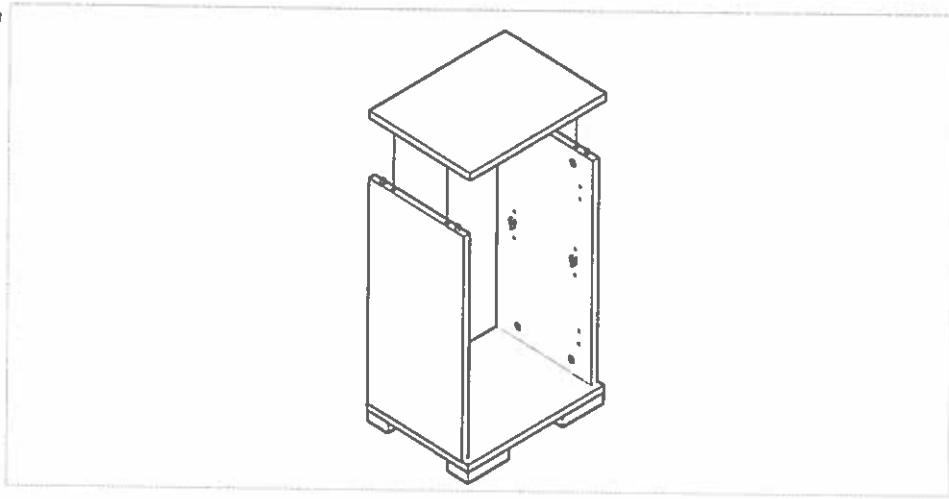
5



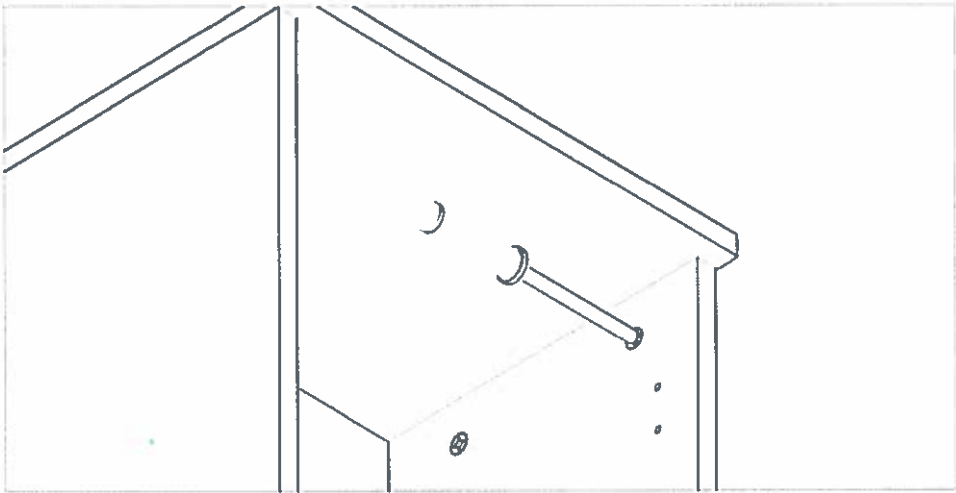
6



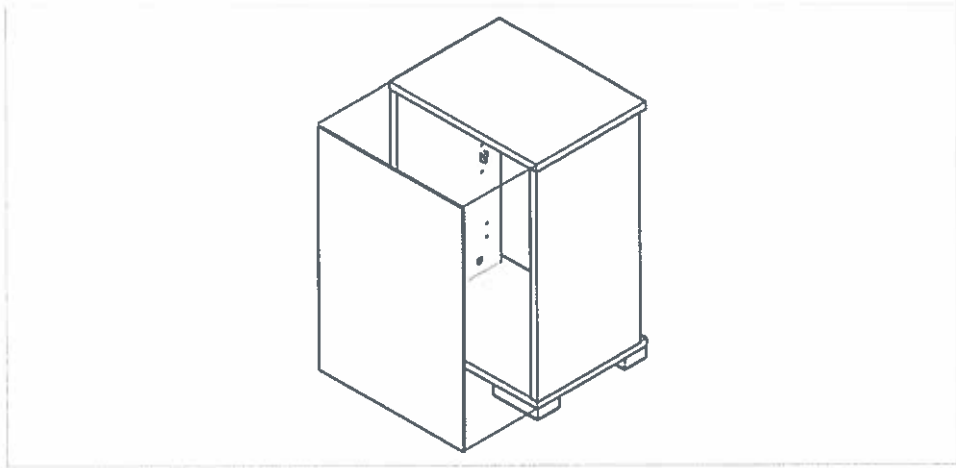
7



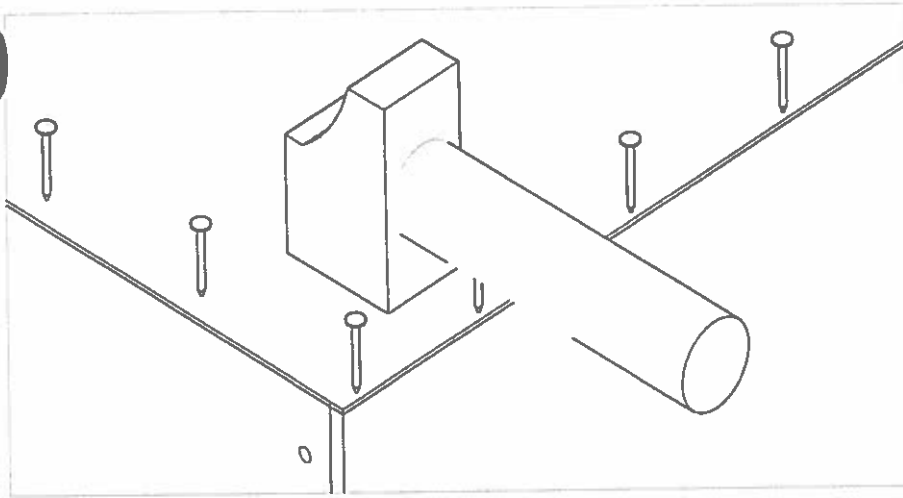
8



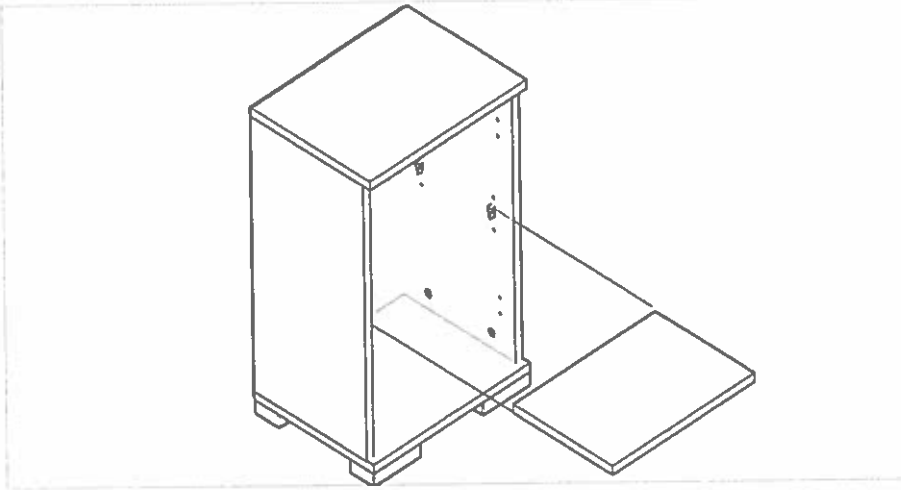
9



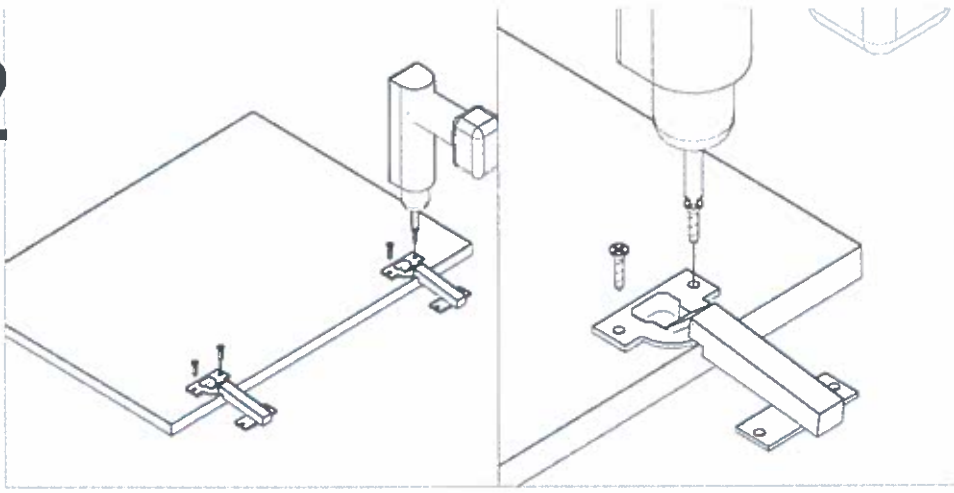
10



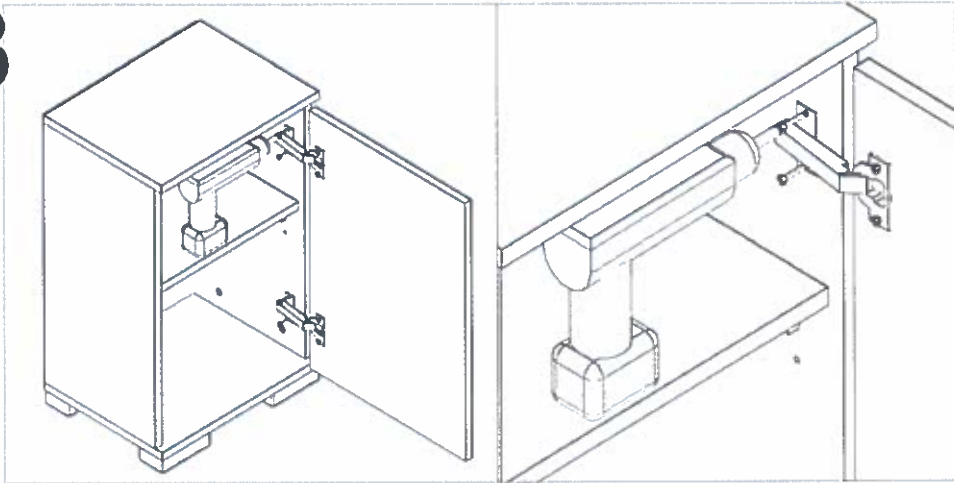
11



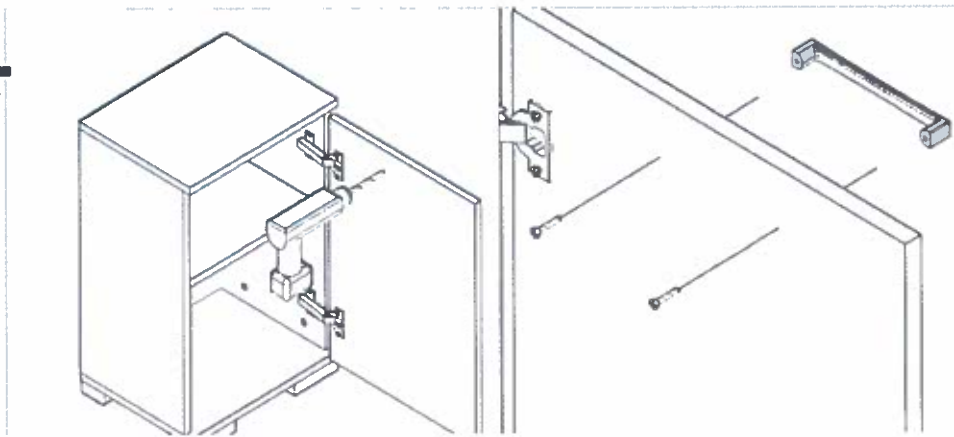
12

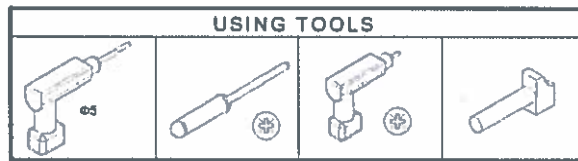
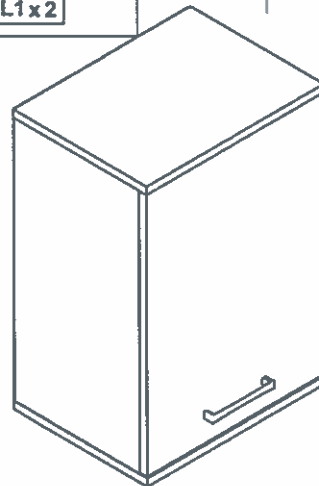
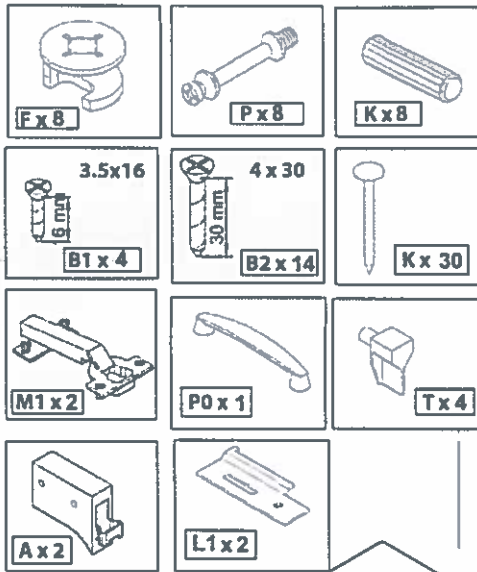
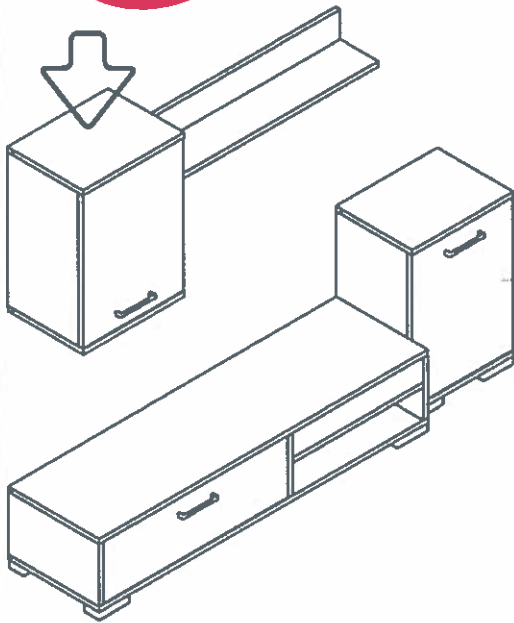


13

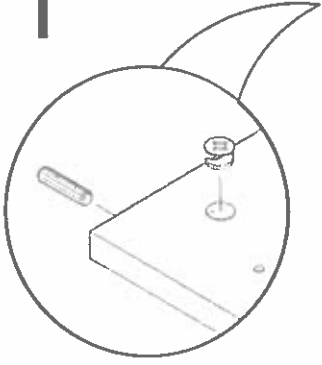


14

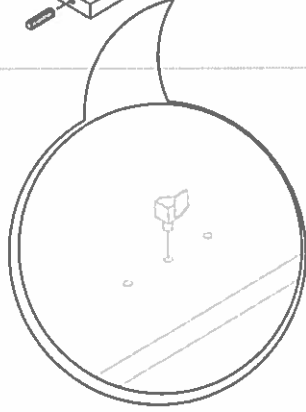
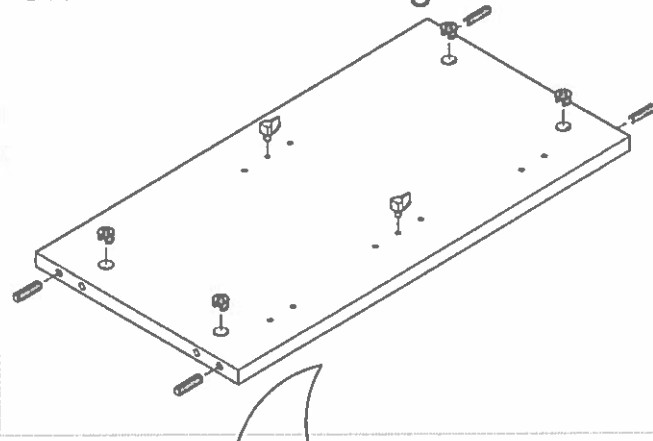




1

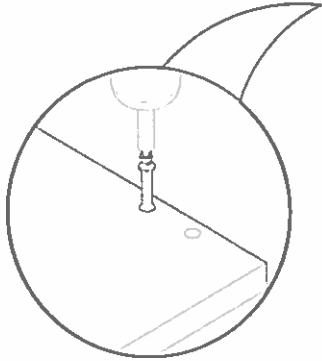
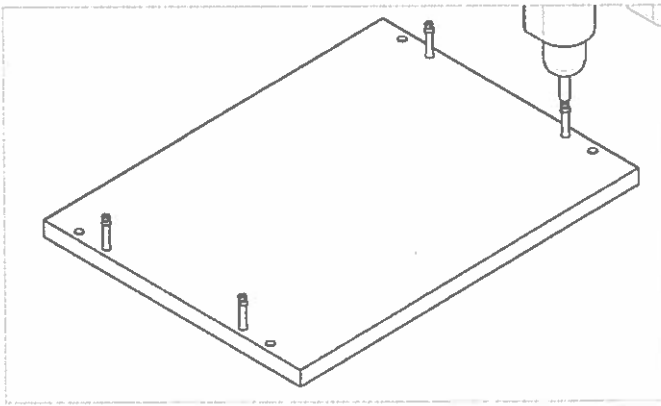


Side Panel Left & Right

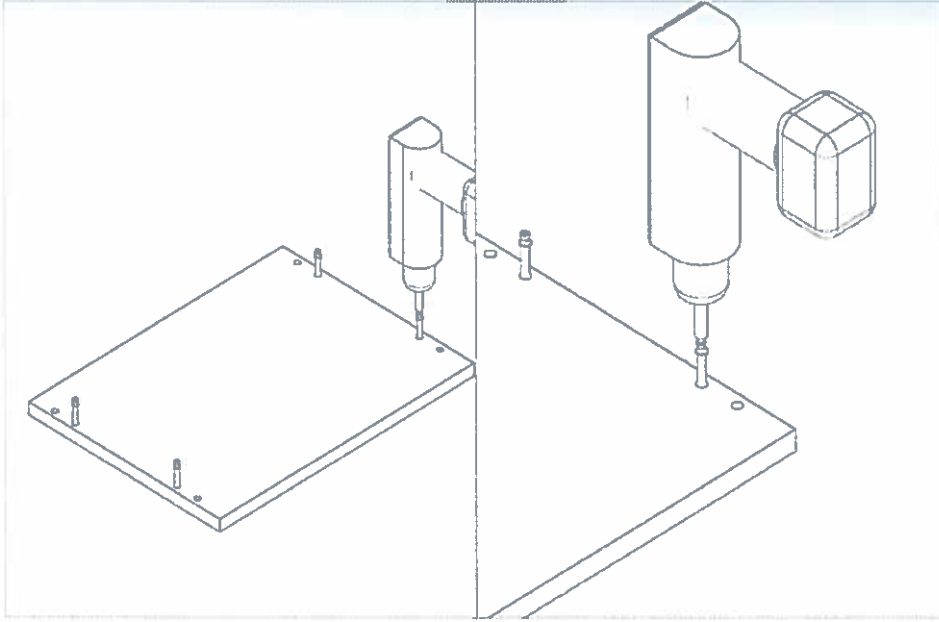


2

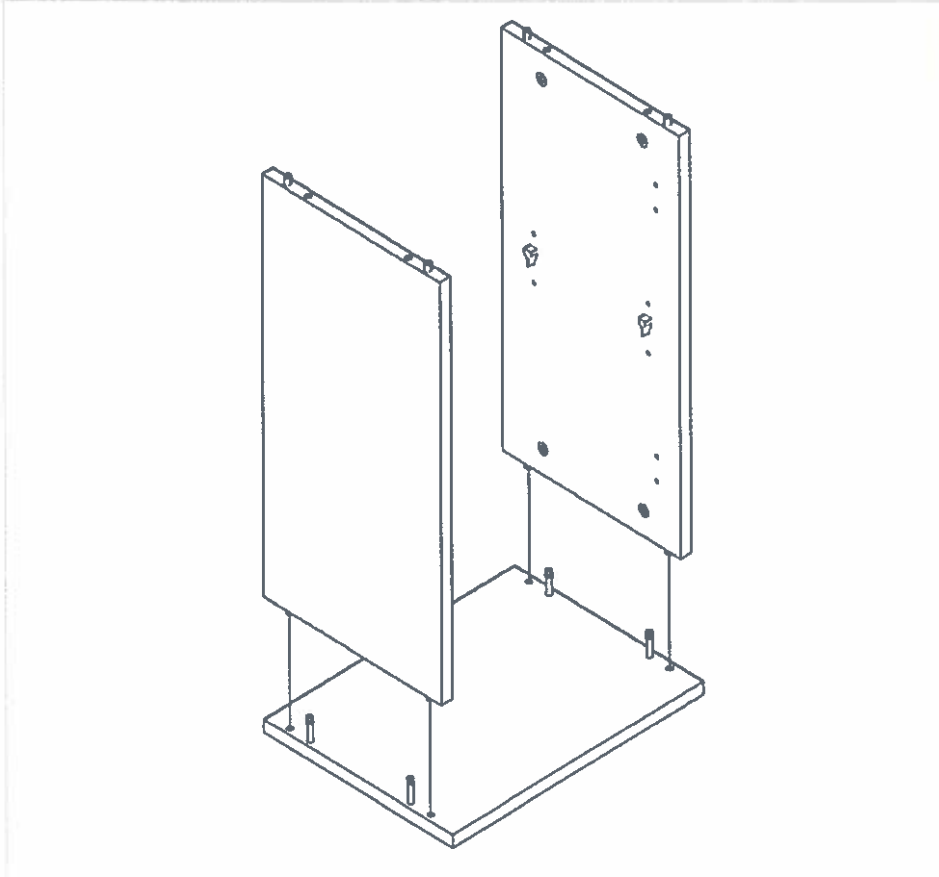
Top Panel



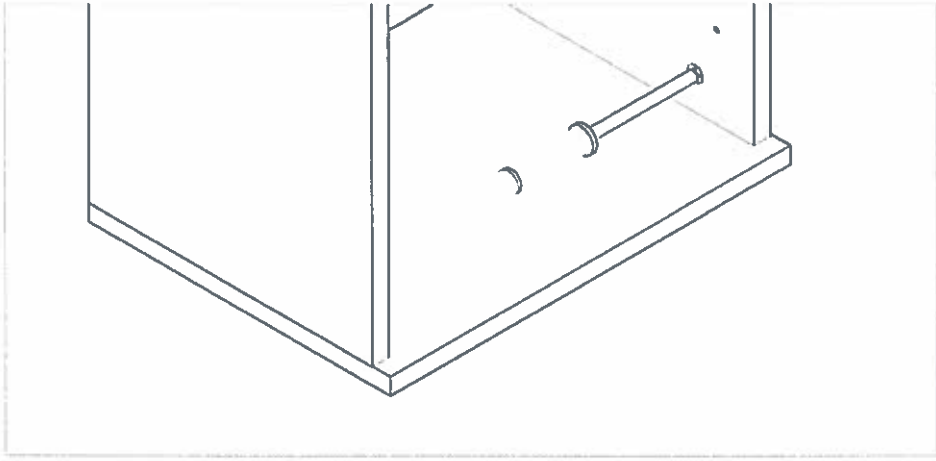
3



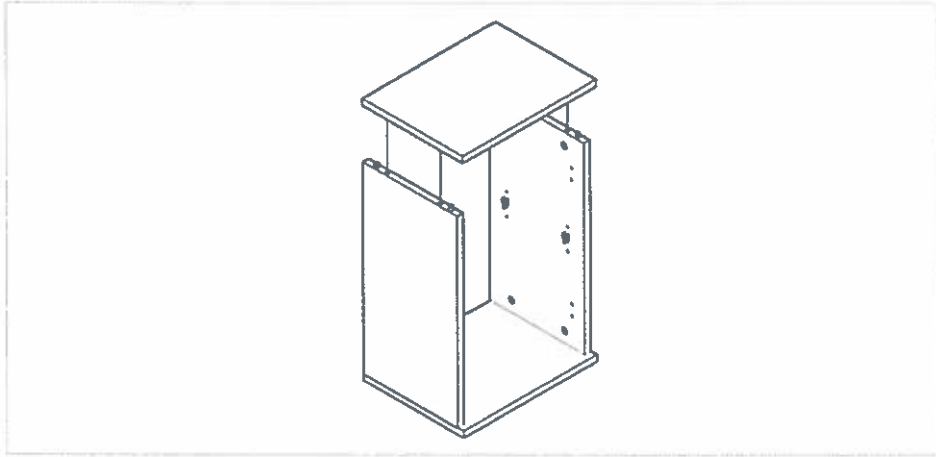
4



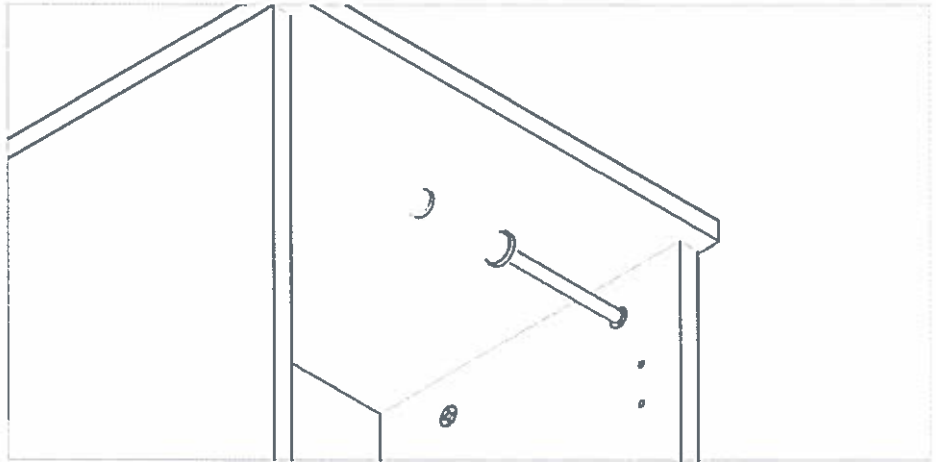
5



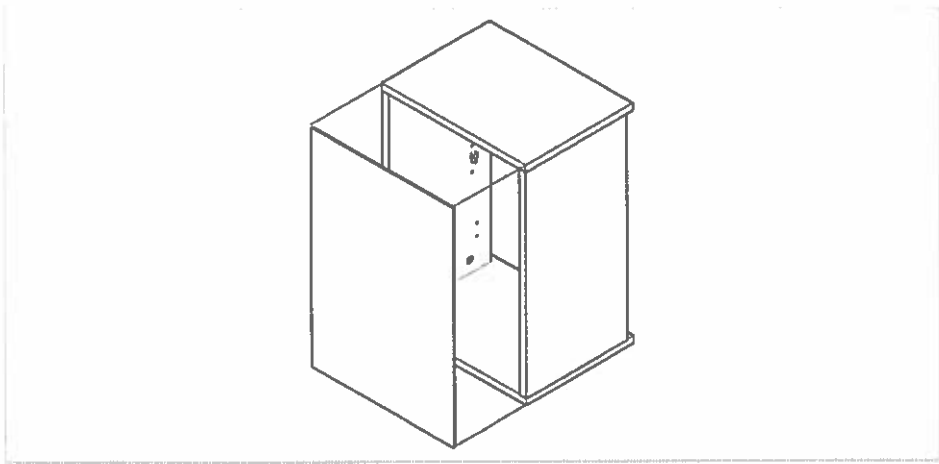
6



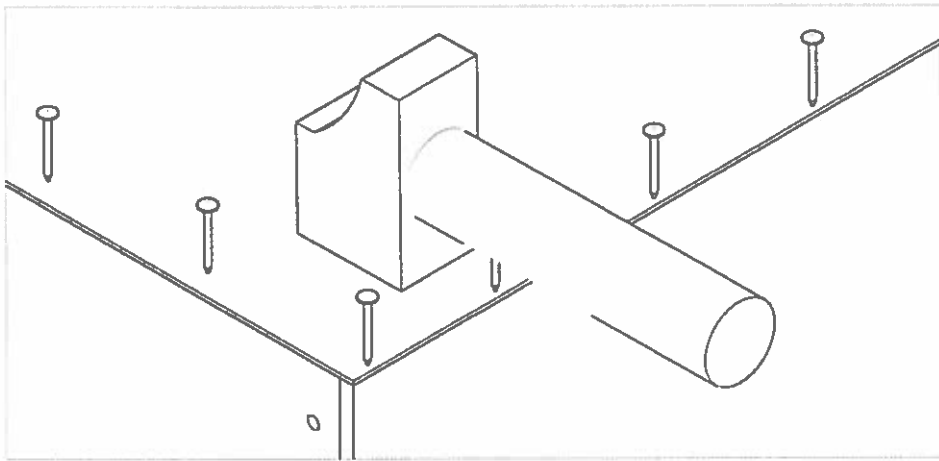
7



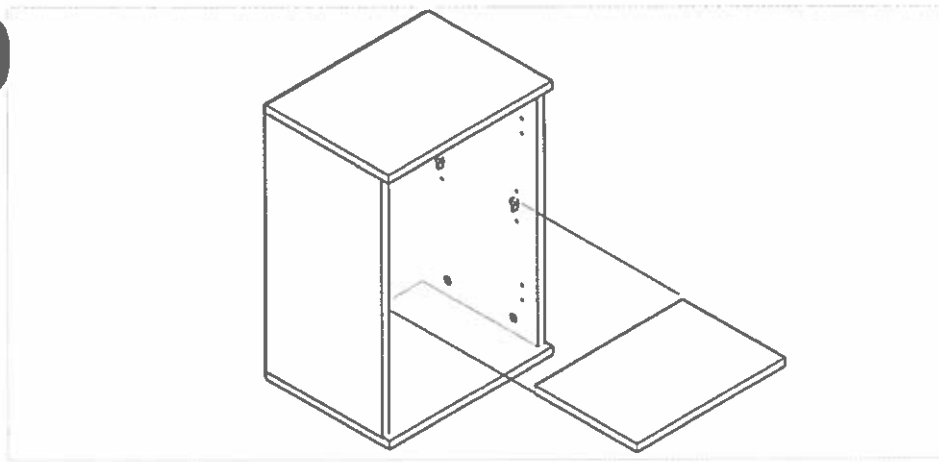
8



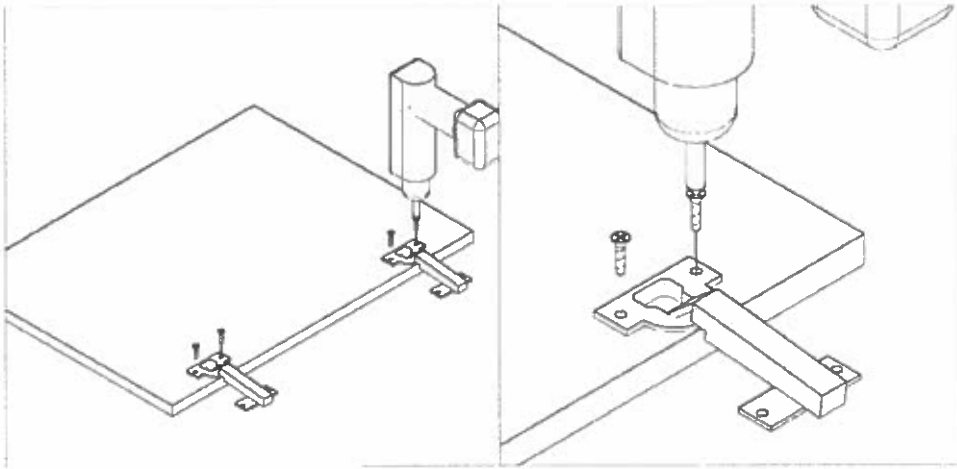
9



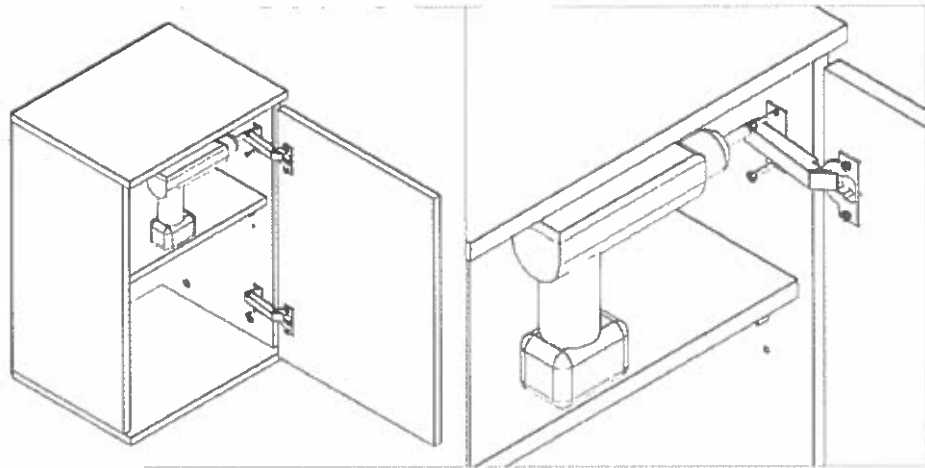
10



11



12



13

