

# ASSEMBLY INSTRUCTION

 3PCS

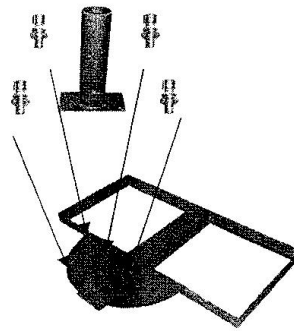
 2PCS

 4PCS

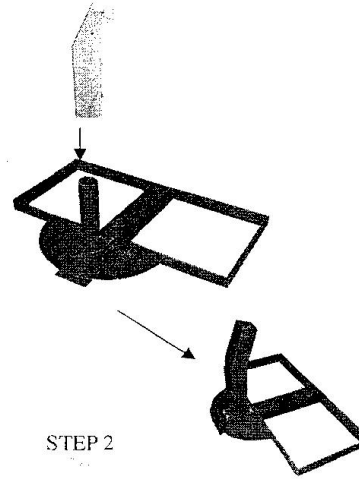
 1PC

 2PCS

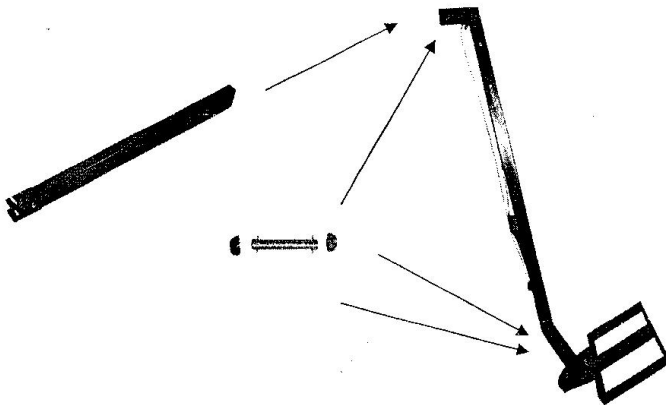
 1PC



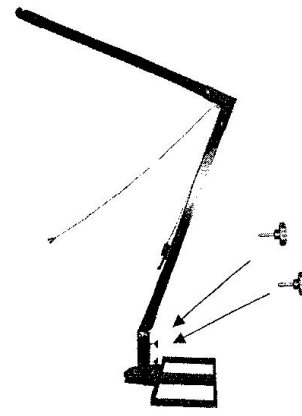
STEP 1



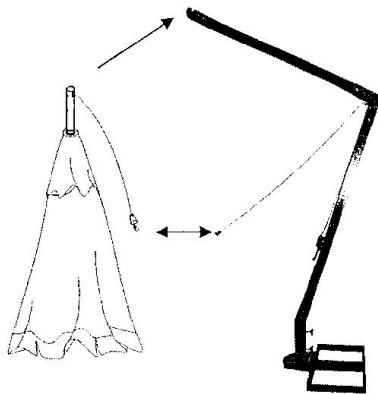
STEP 2



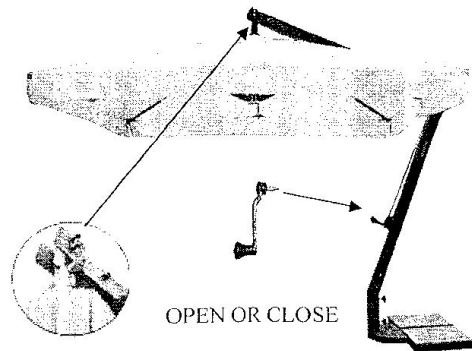
STEP 3



STEP 4



STEP 5



STEP 6