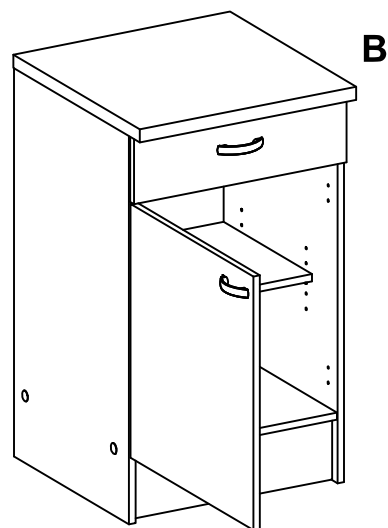
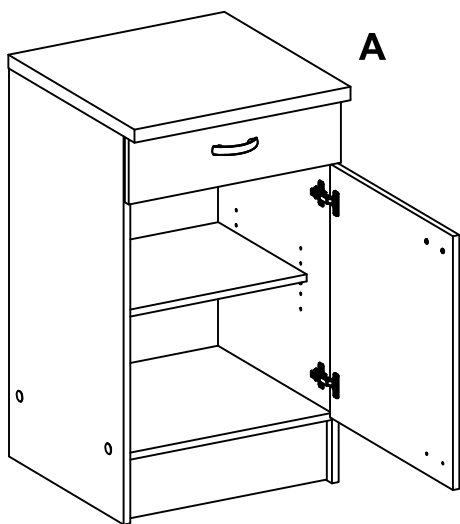
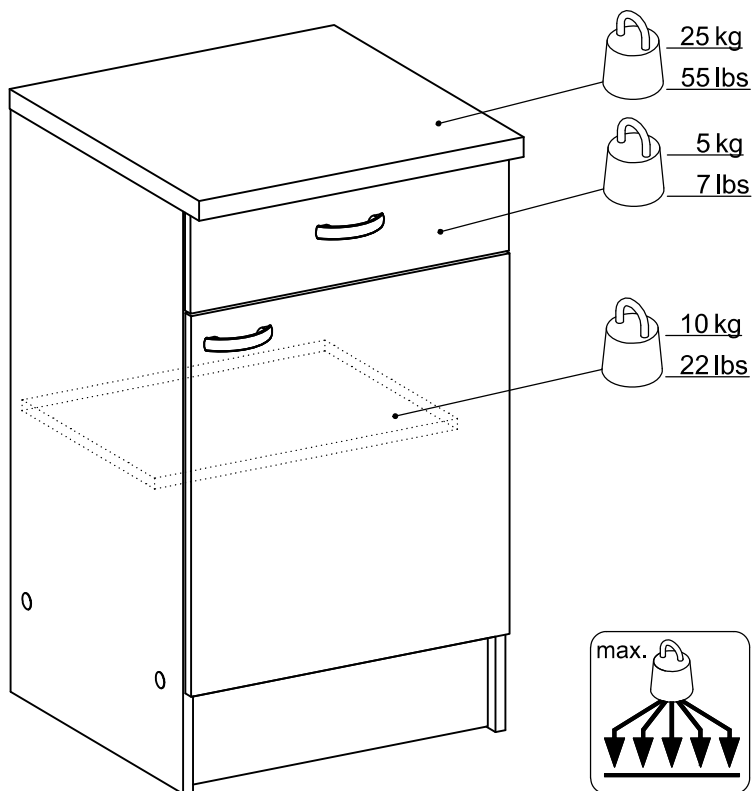


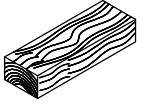
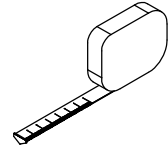
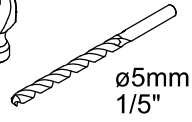
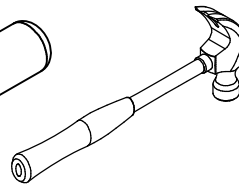
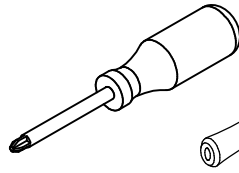
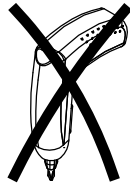
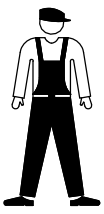
tvilum



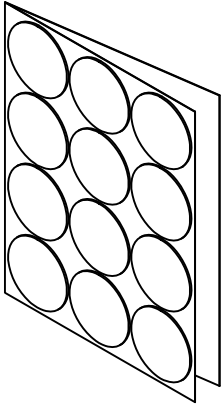
45520 A

www.tvilum.com

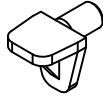




10901
x1



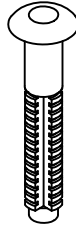
11020
x4



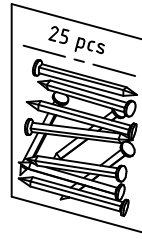
20209
x12



20228
x4



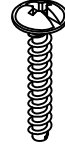
23006
x1



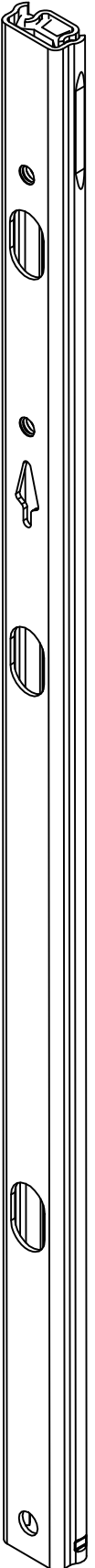
25233
x2



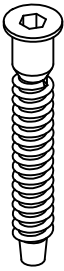
25506
x4



41407
x2



25610
x4



26020
x4



26071
x4



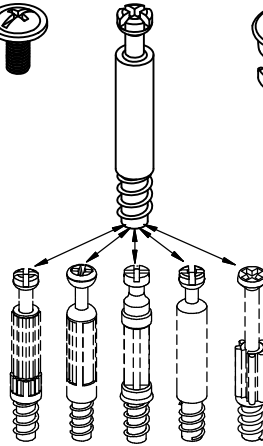
26211
x2



26214
x2



31513
x6



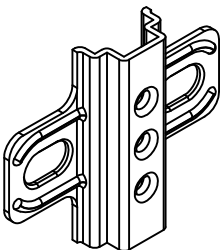
31631
x2



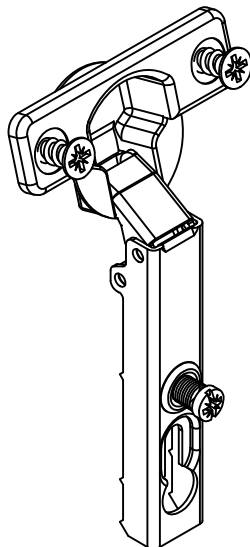
31643
x4



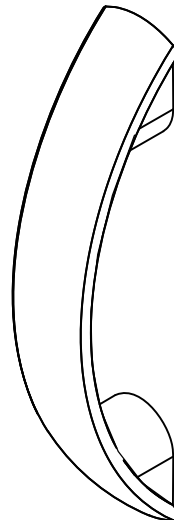
50491
x2



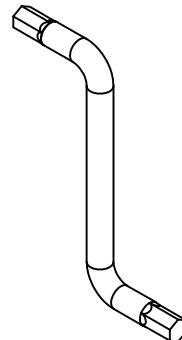
52290
x2

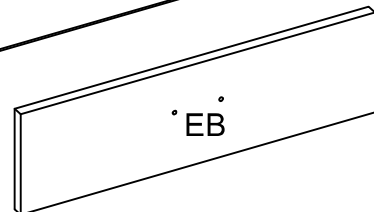
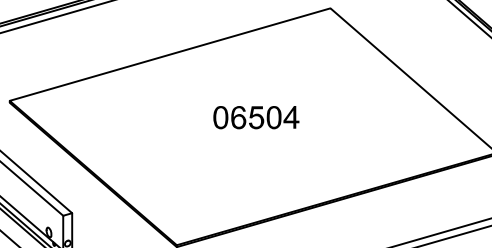
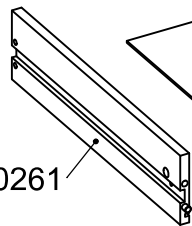
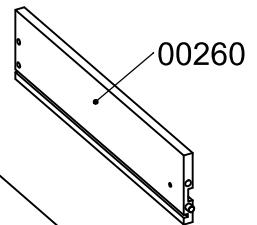
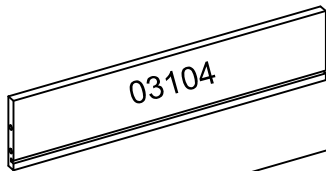
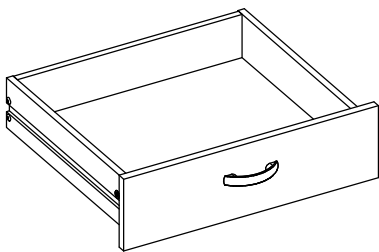
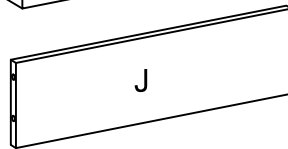
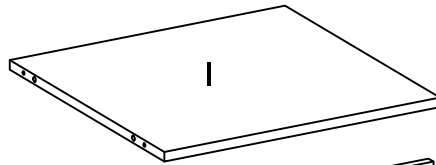
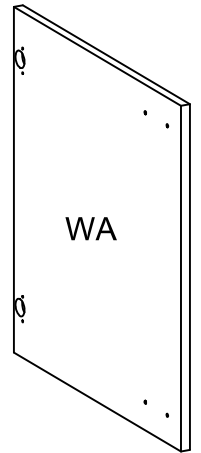
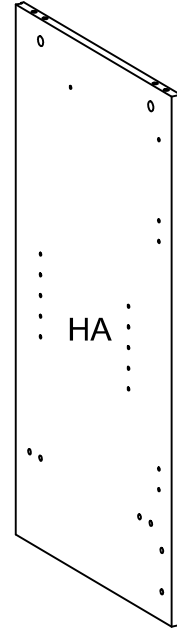
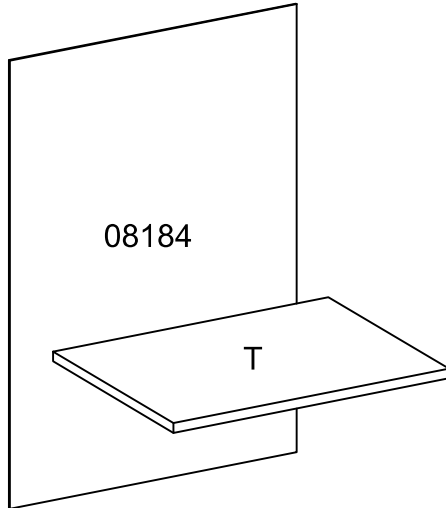
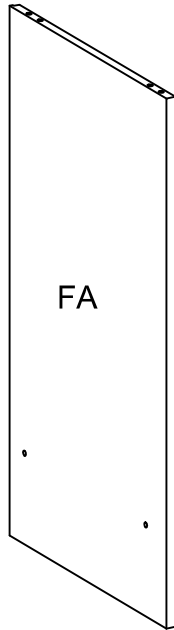
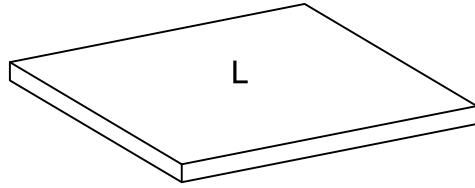
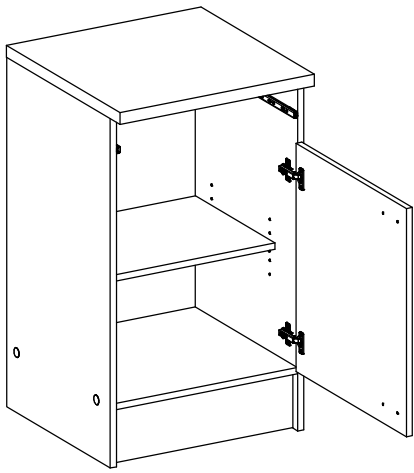


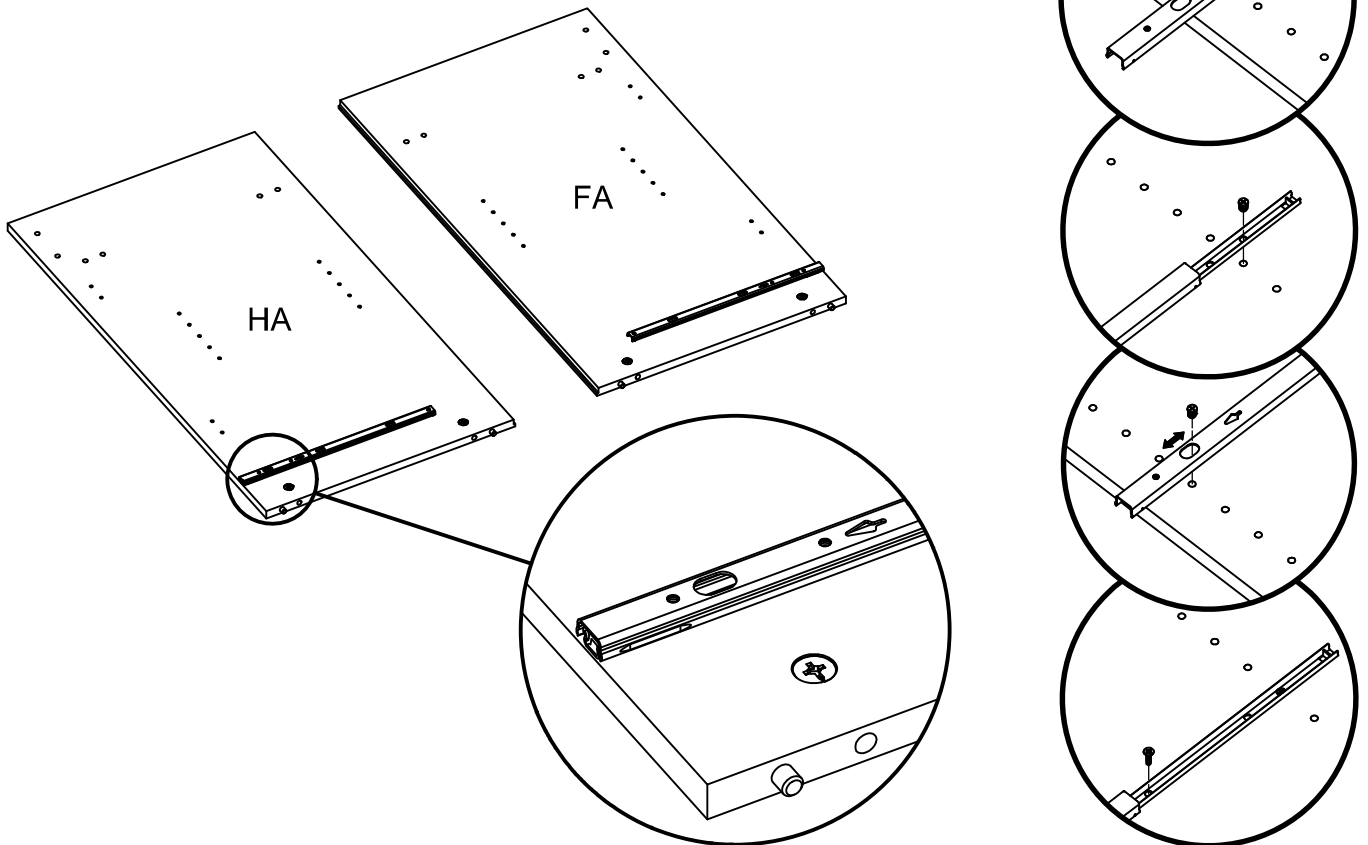
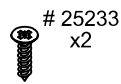
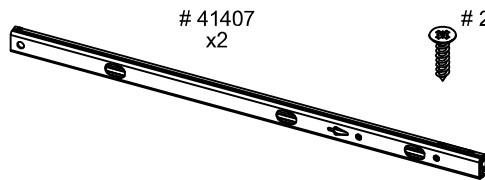
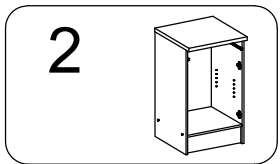
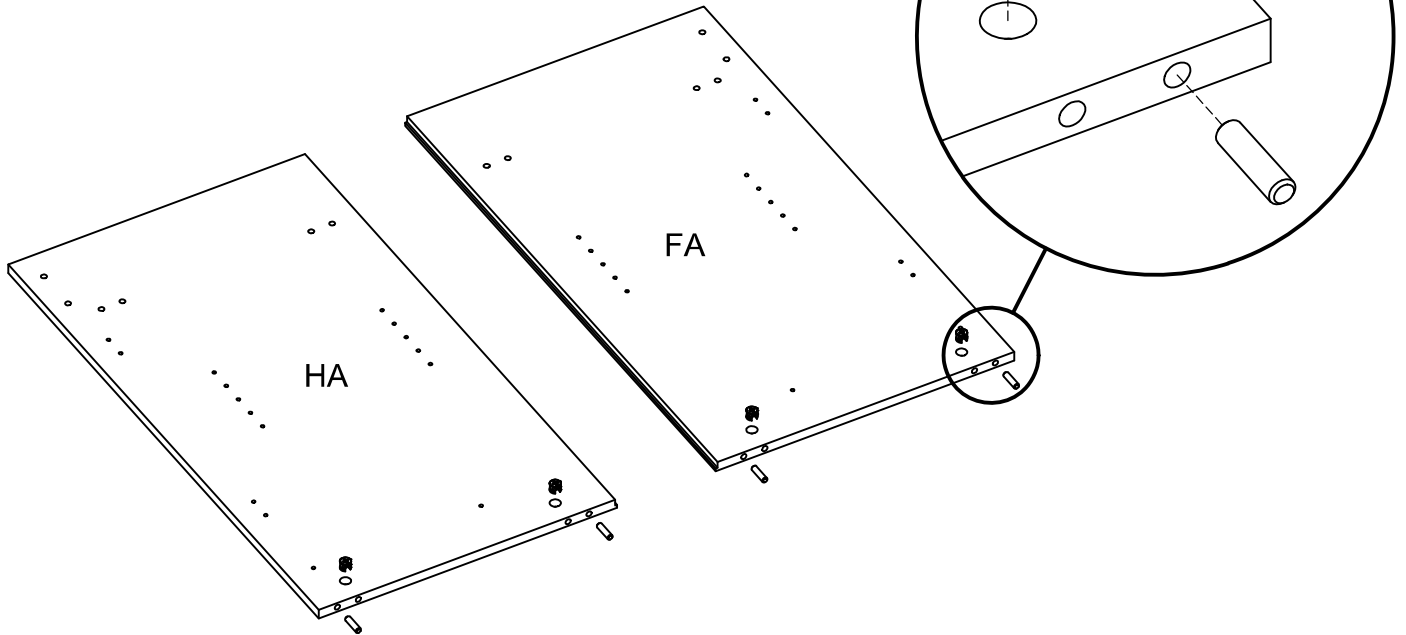
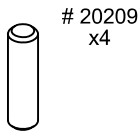
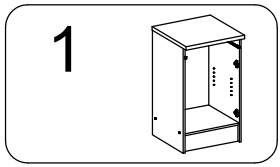
80215
x2

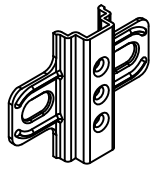
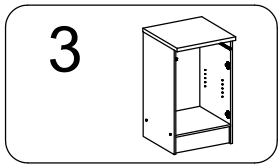


97642
x1









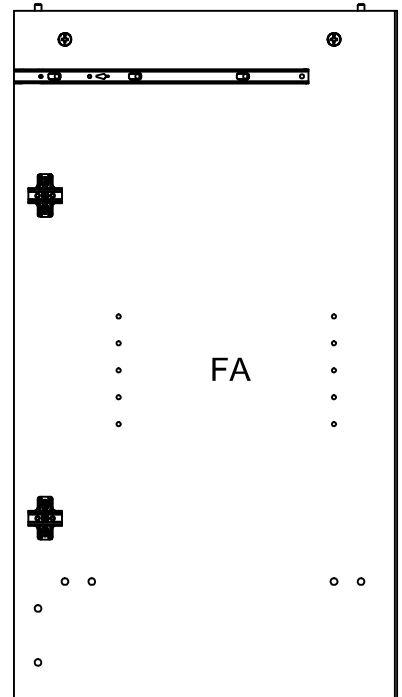
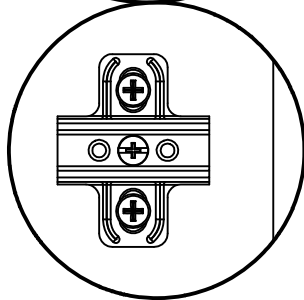
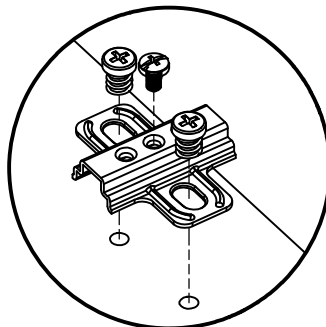
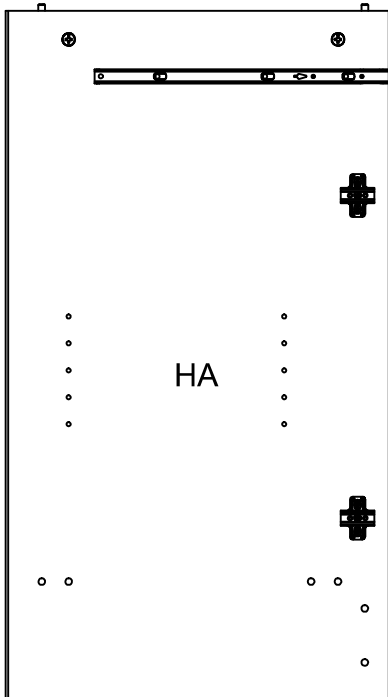
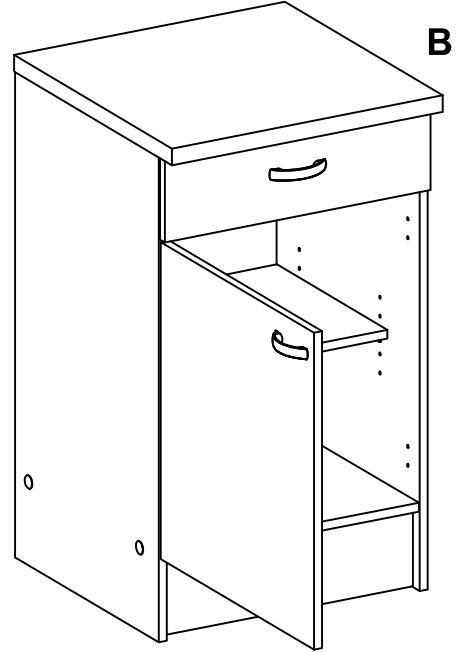
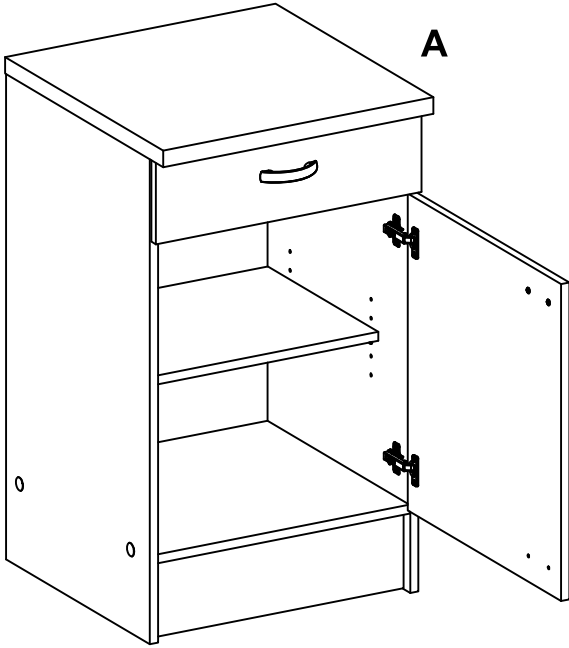
50491
x2

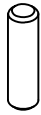
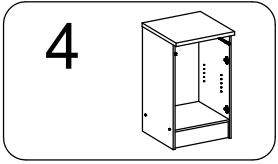


26071
x4

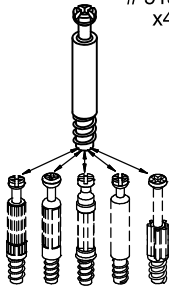
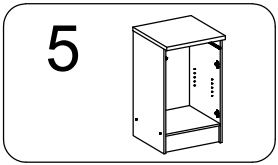
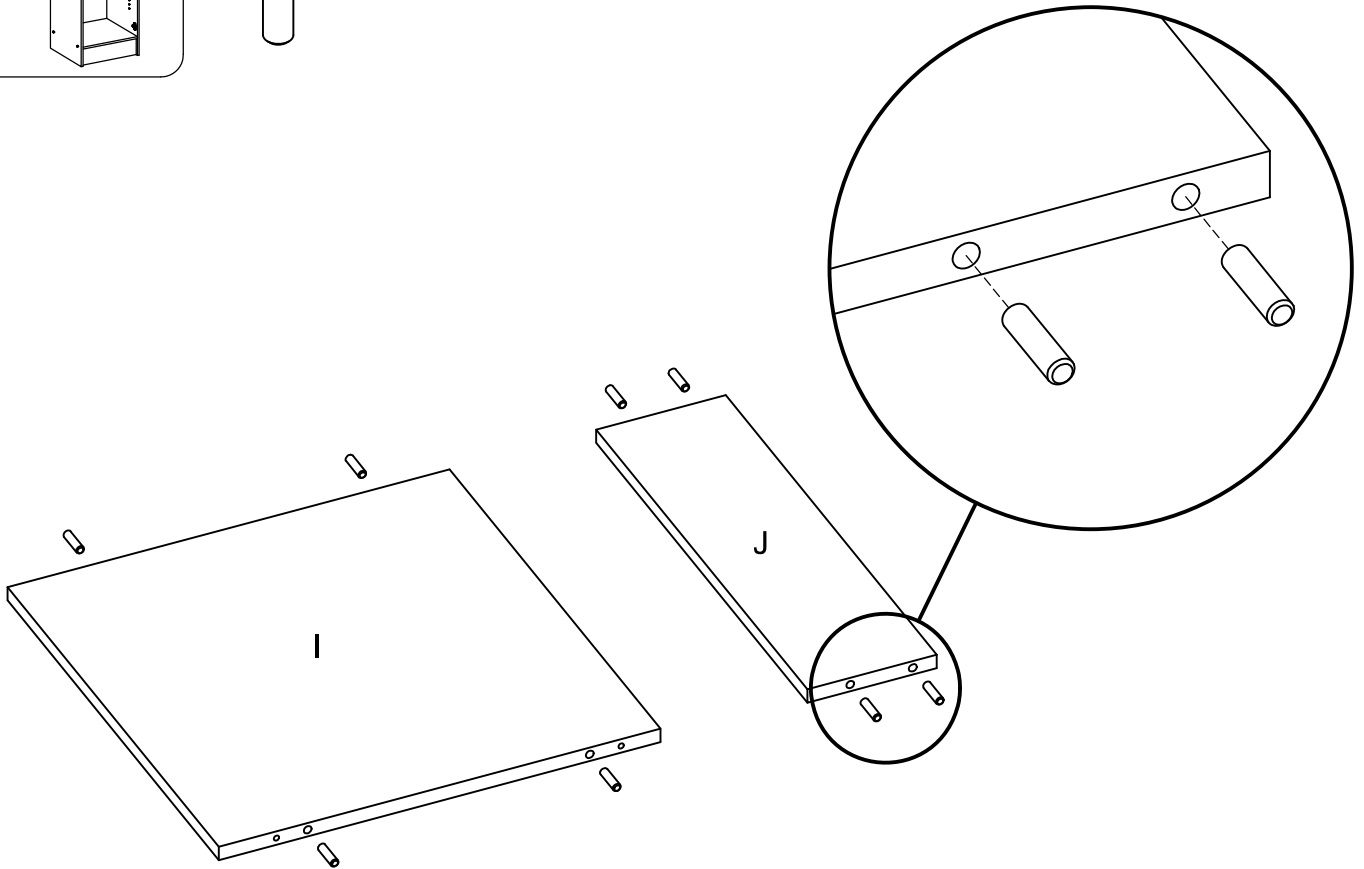


26211
x2

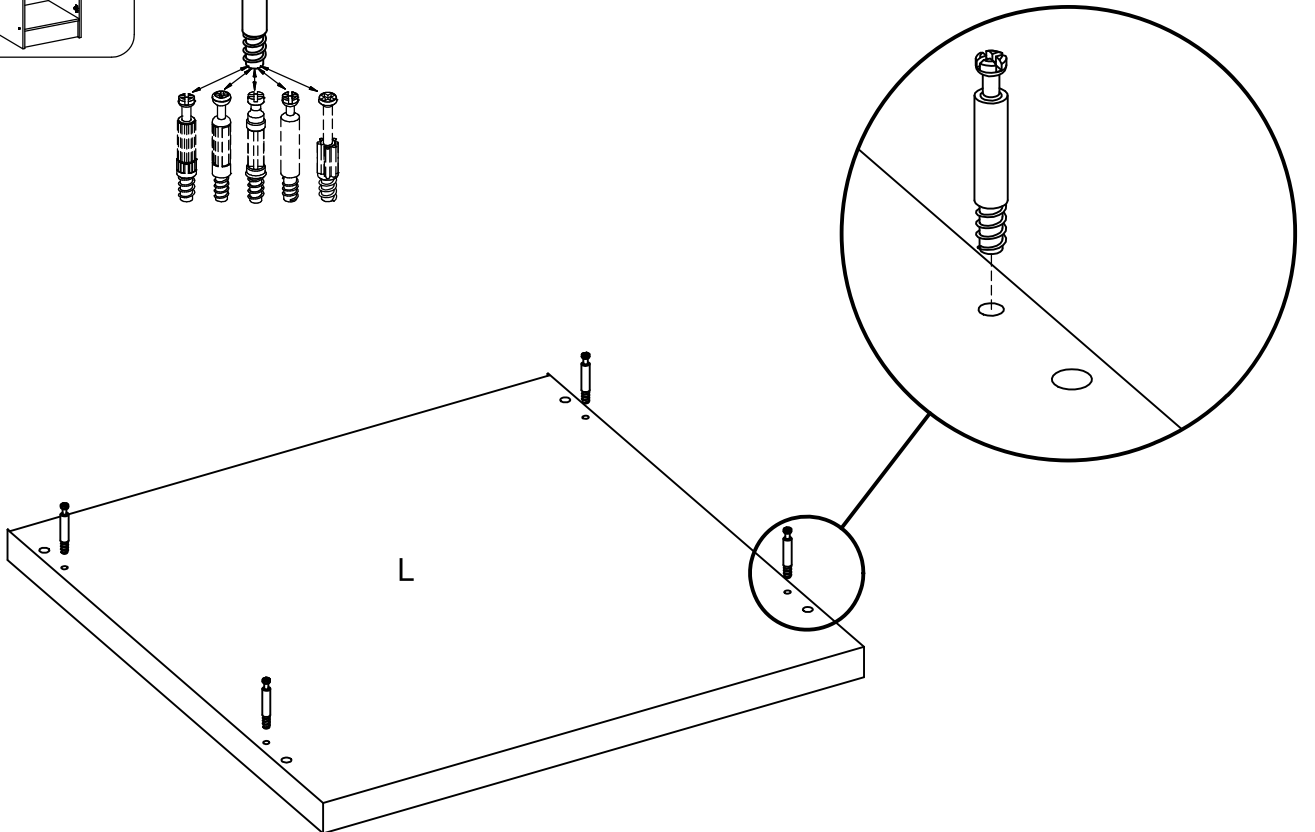


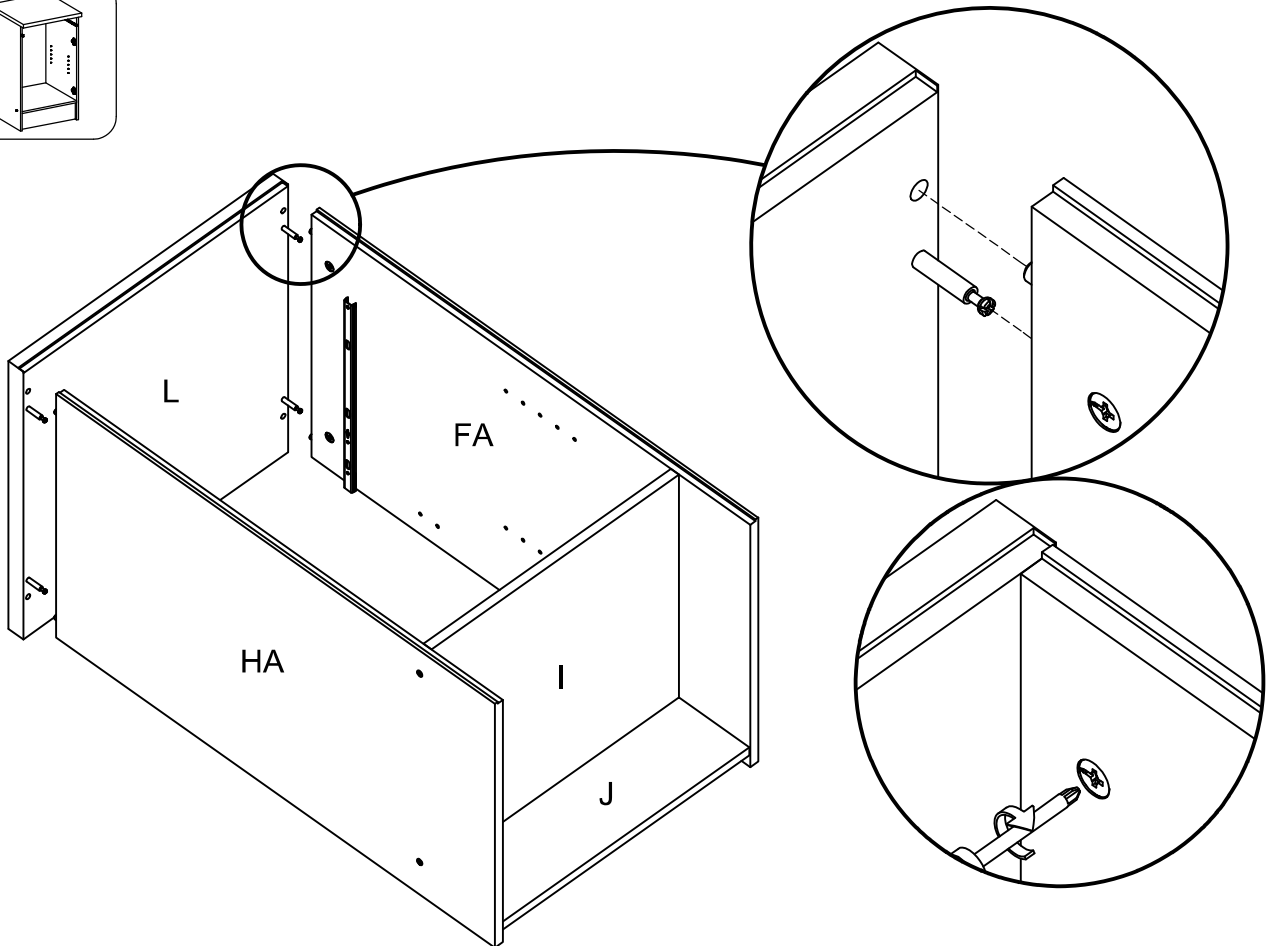
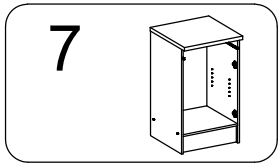
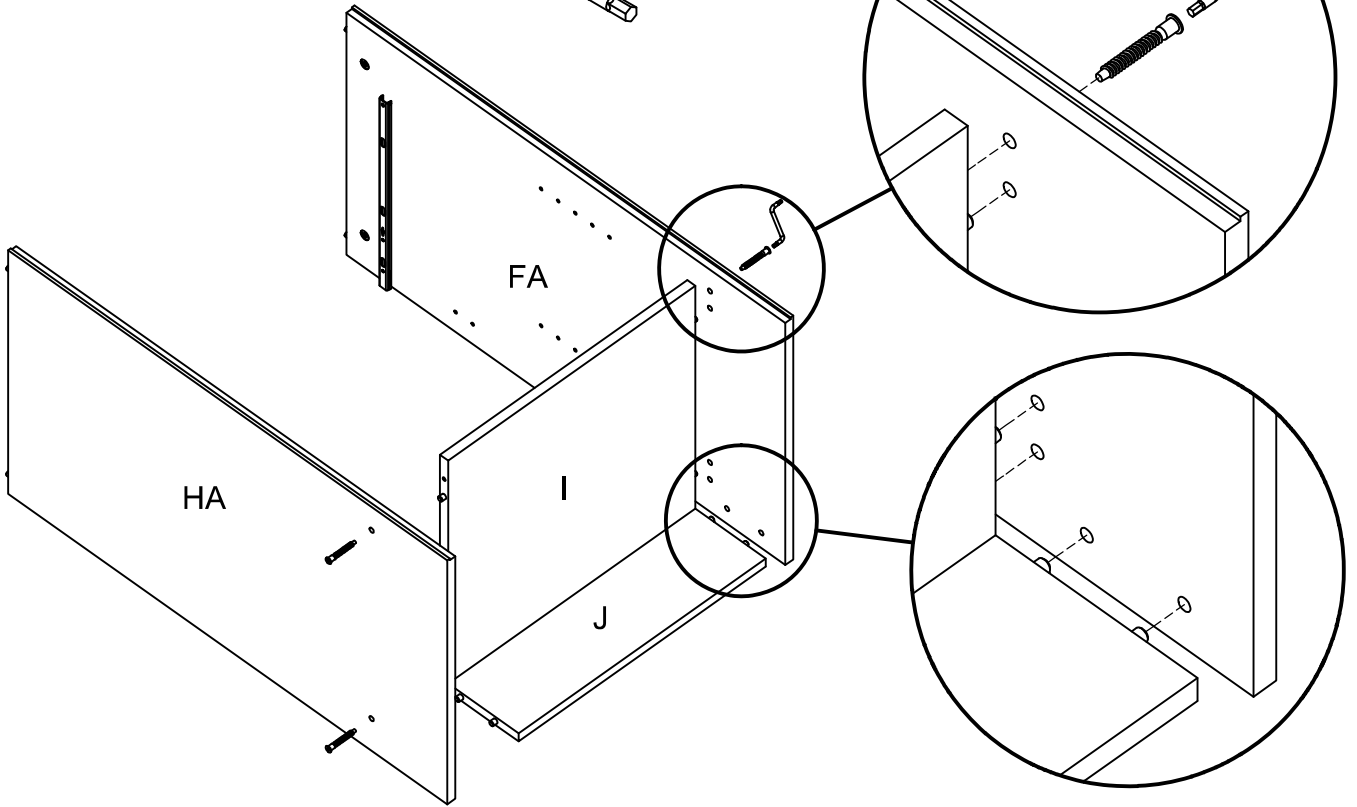
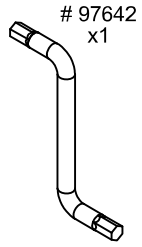
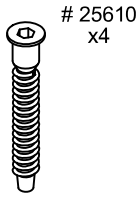
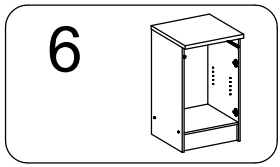


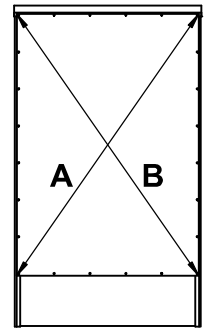
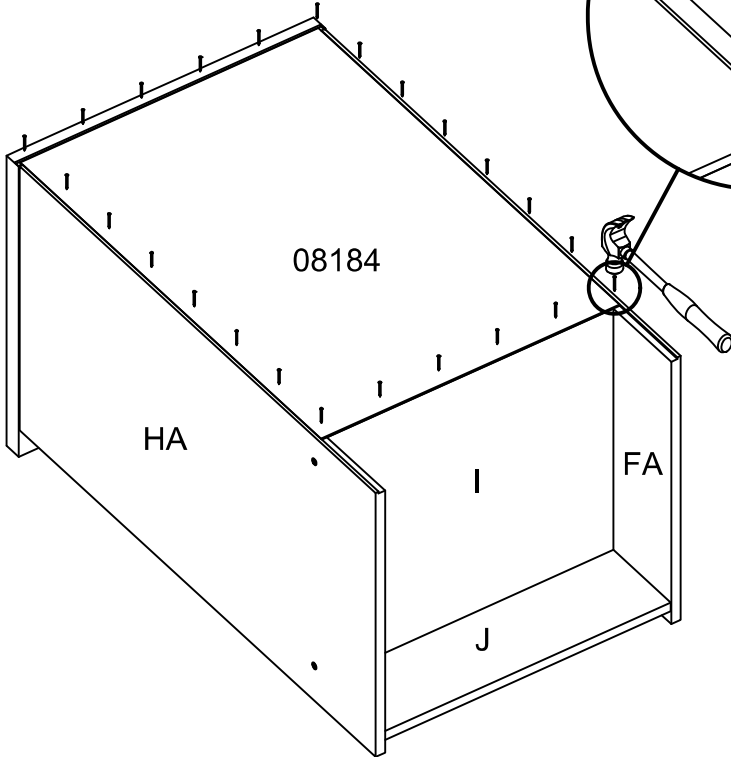
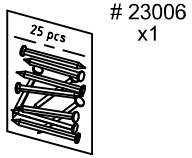
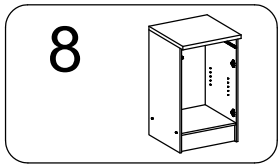
20209
x8



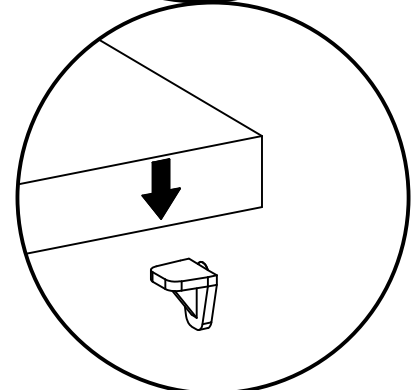
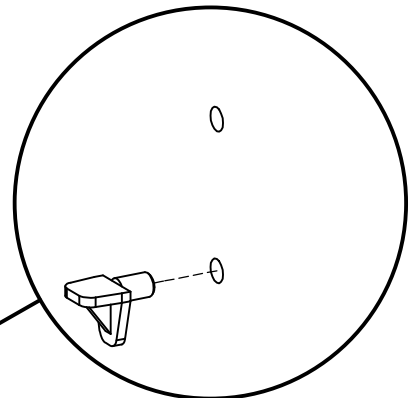
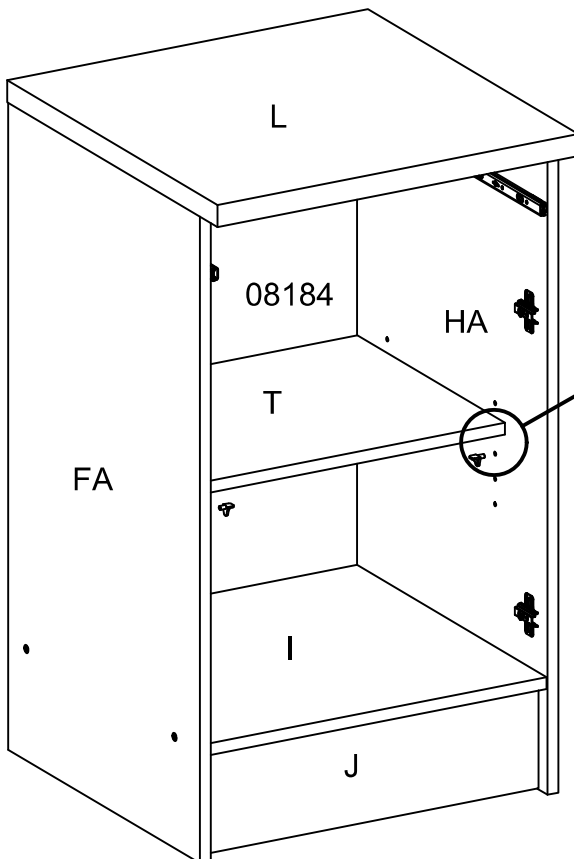
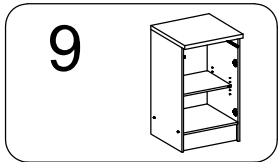
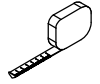
31513
x4

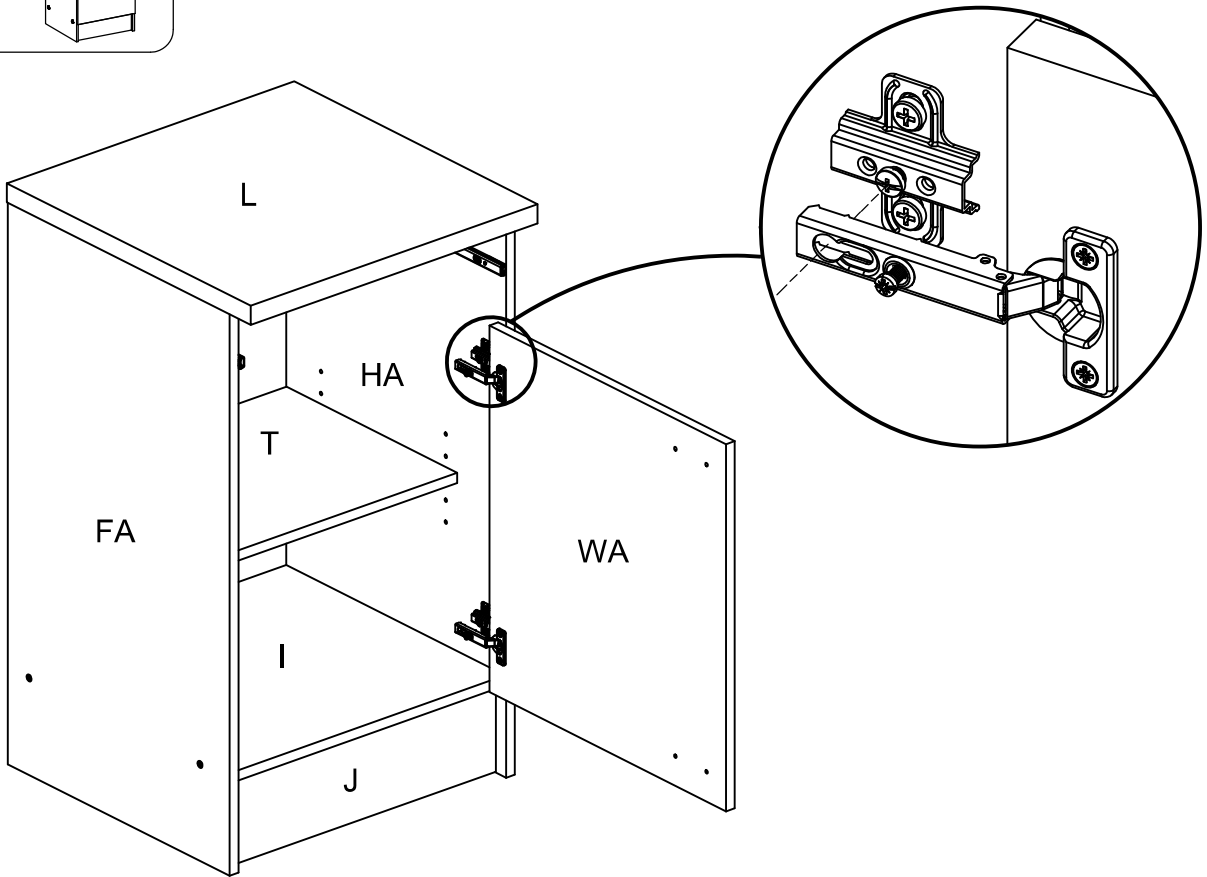
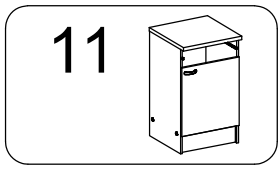
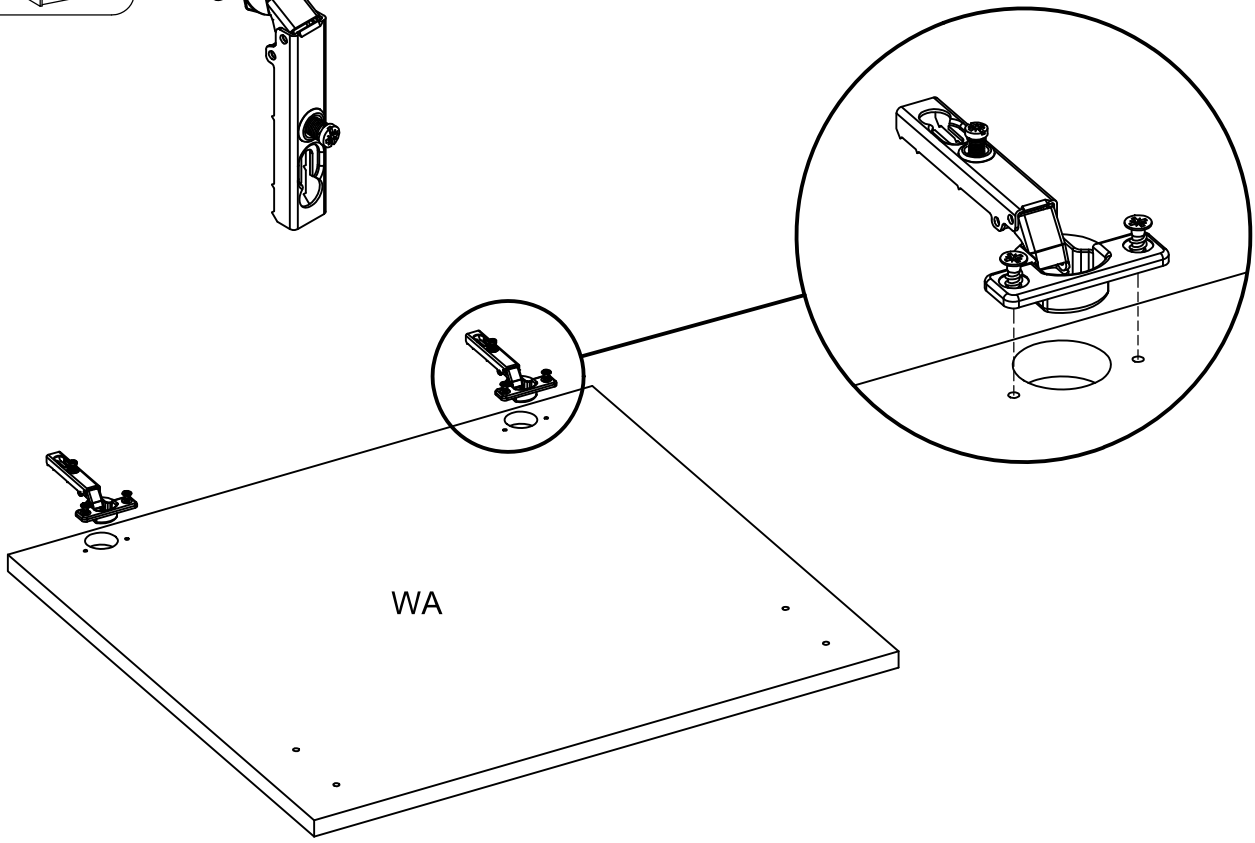
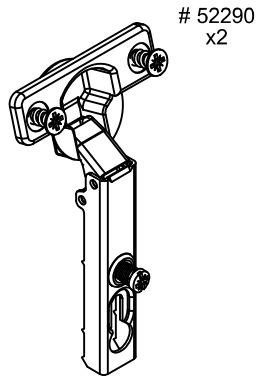
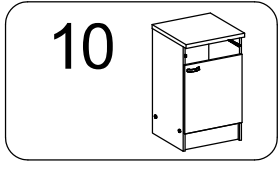




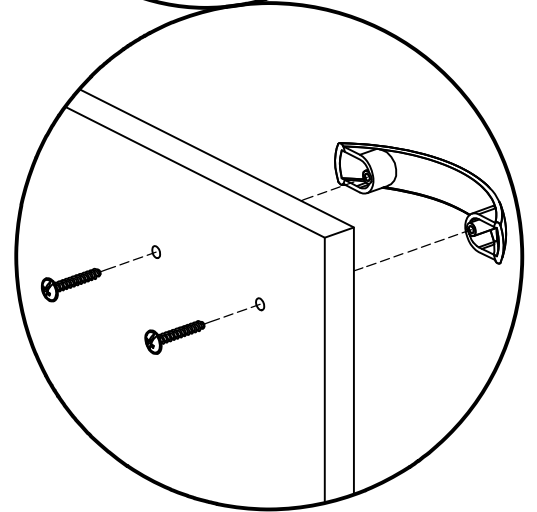
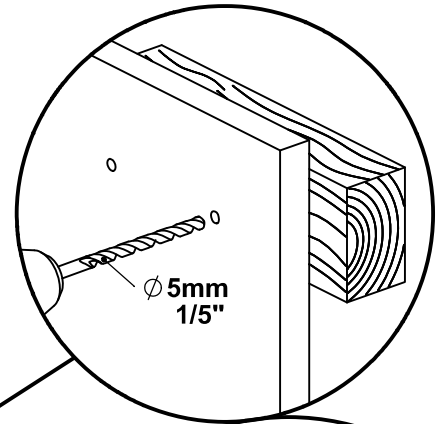
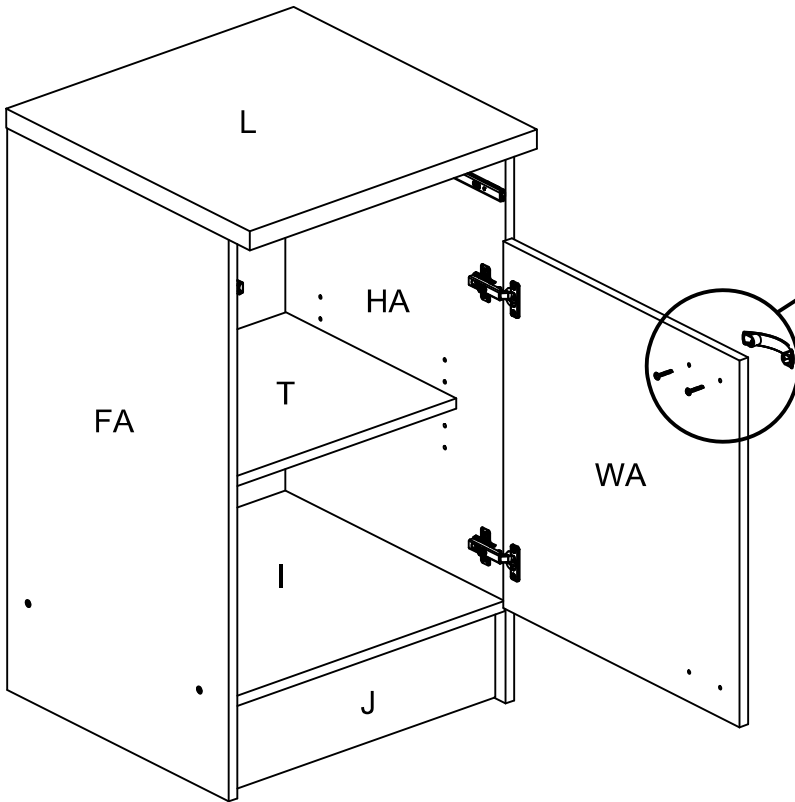
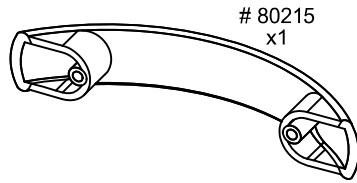


A = B

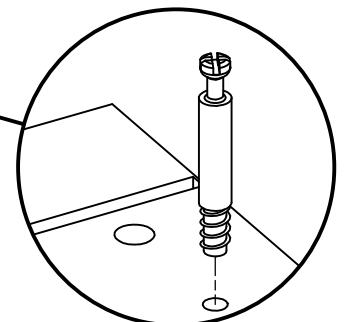
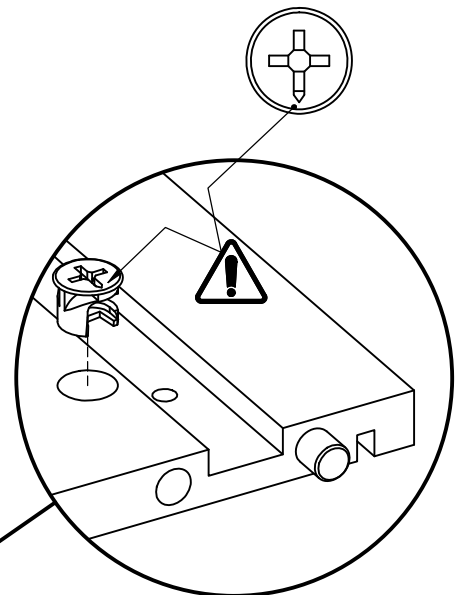
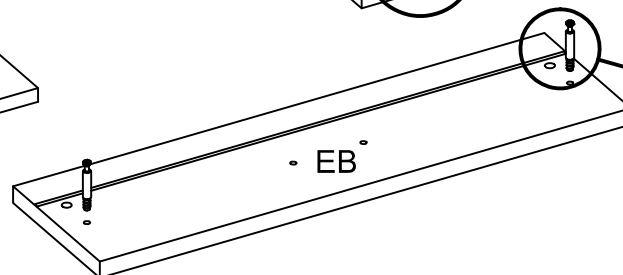
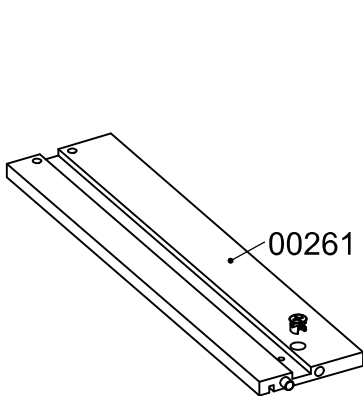
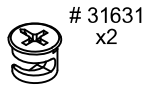
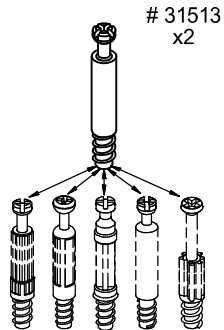


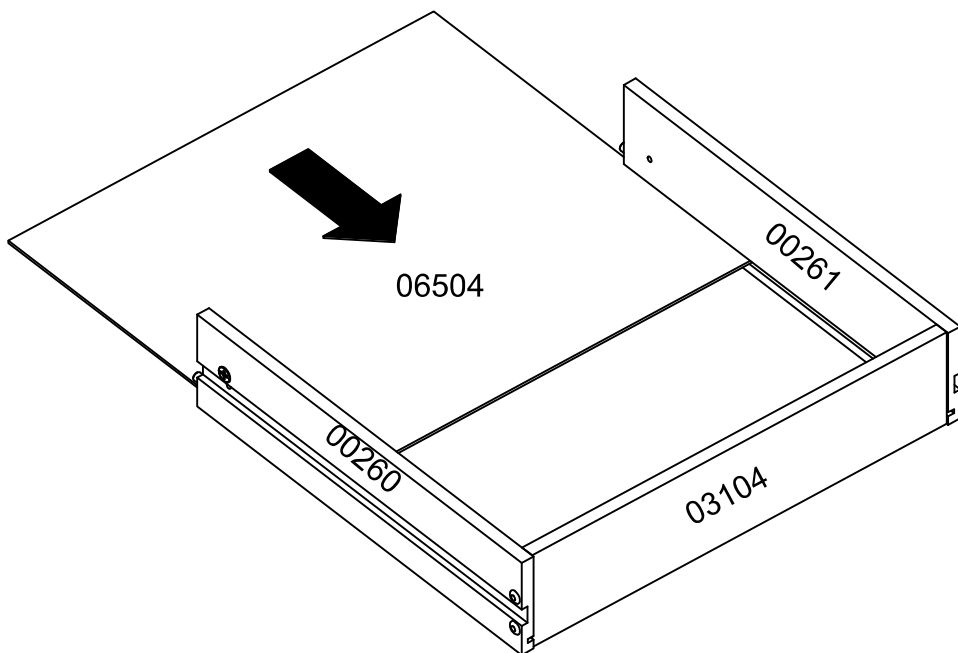
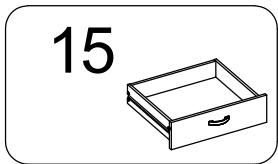
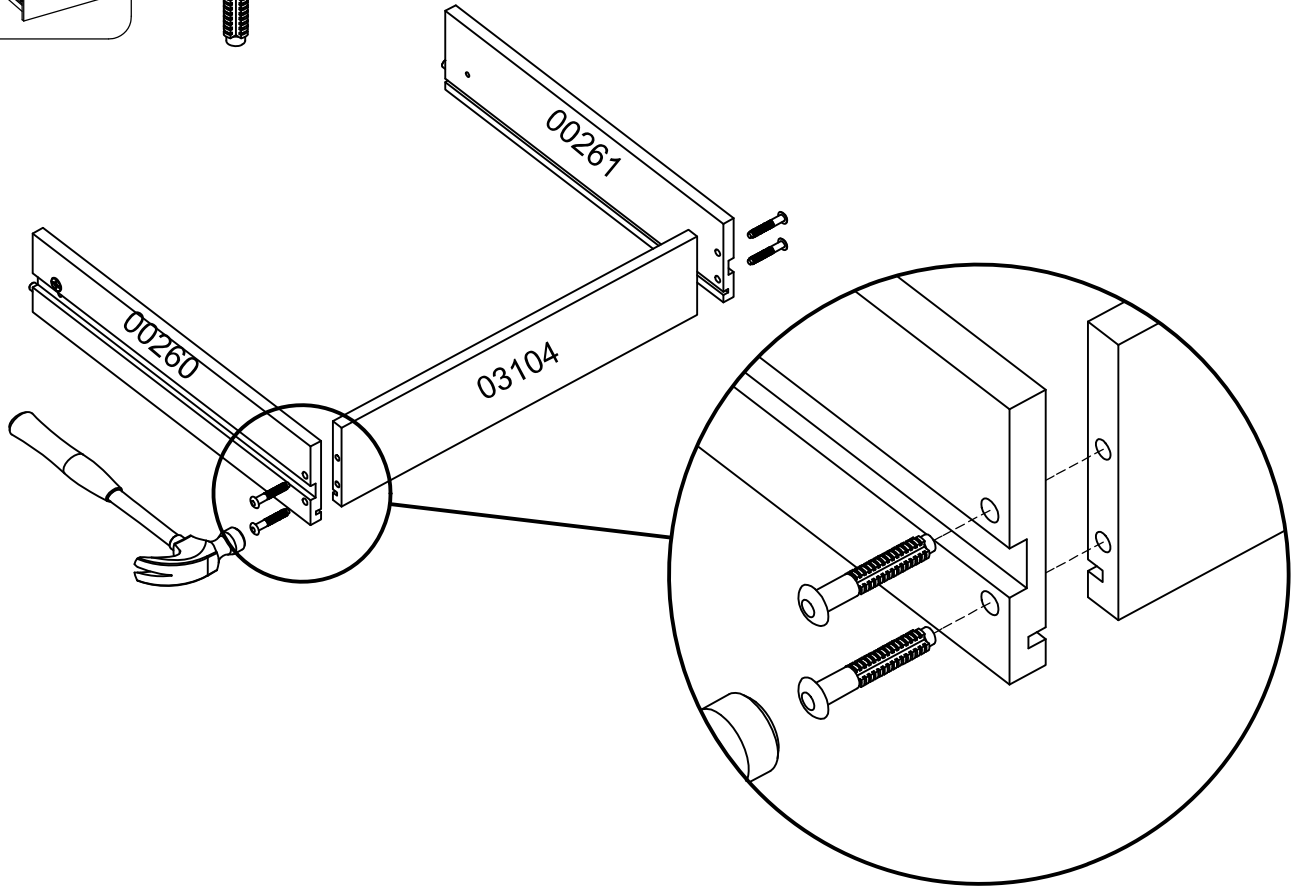
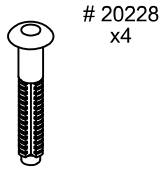
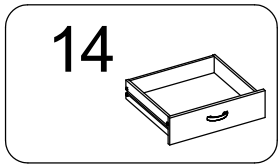


12

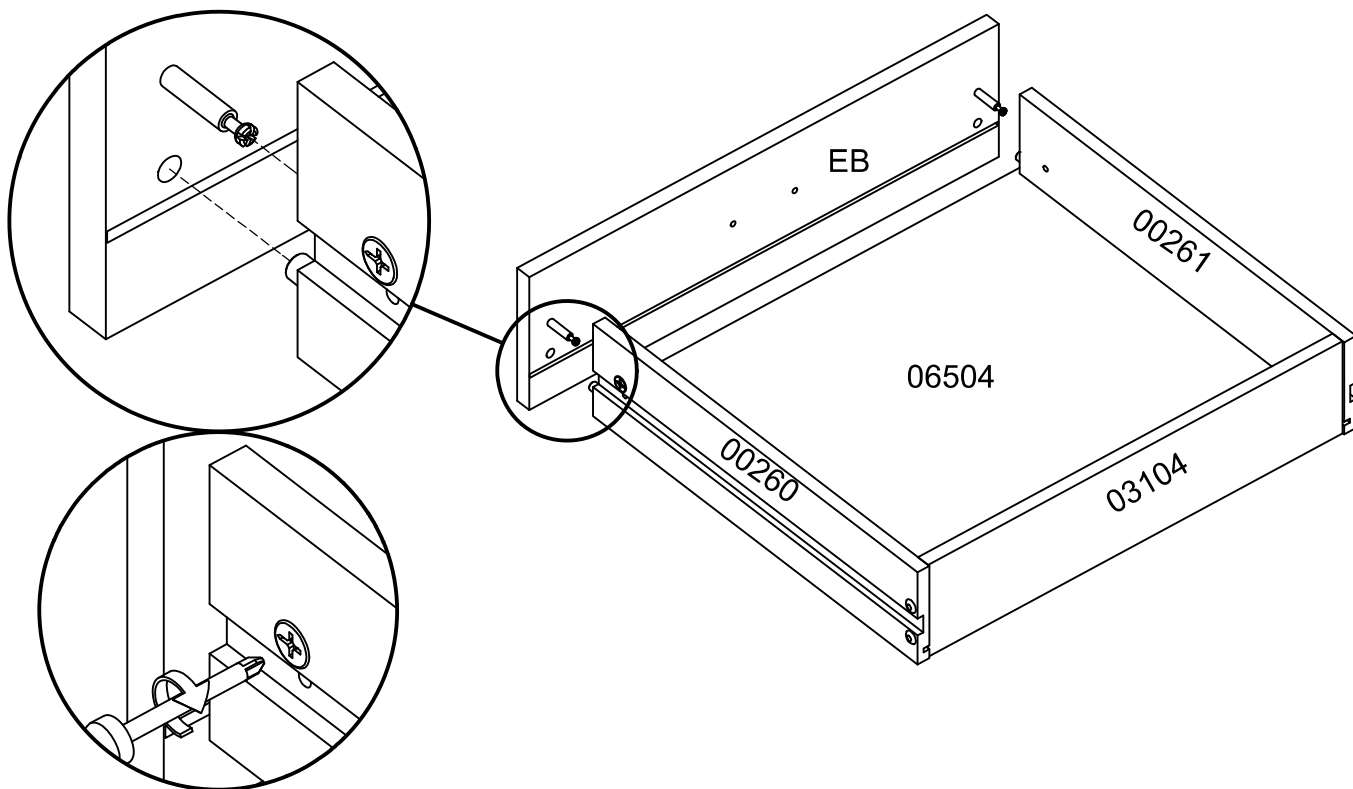


13

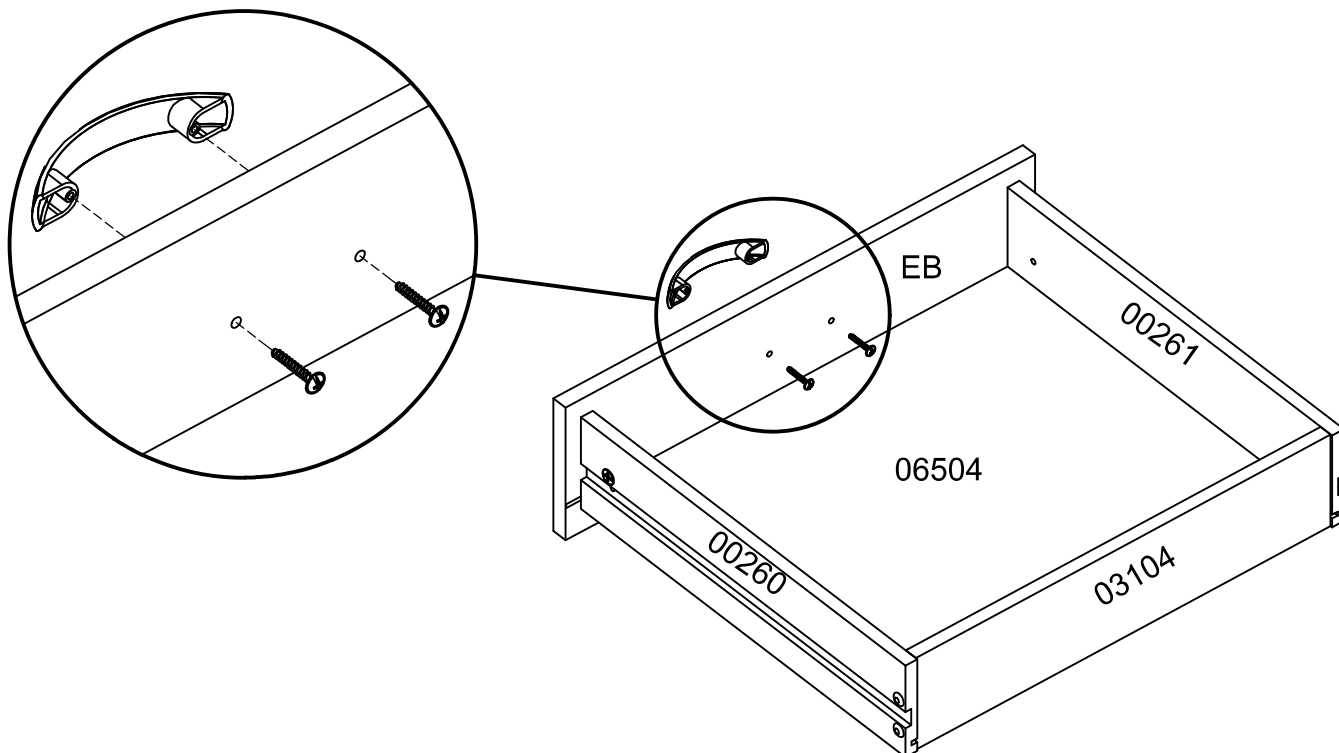
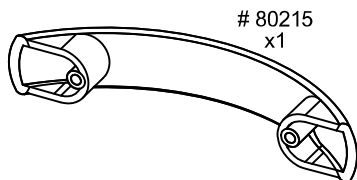


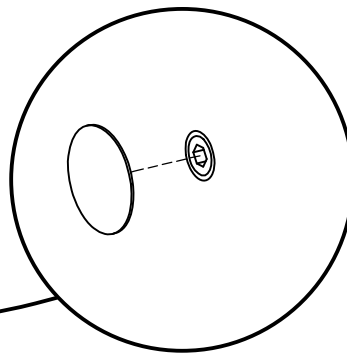
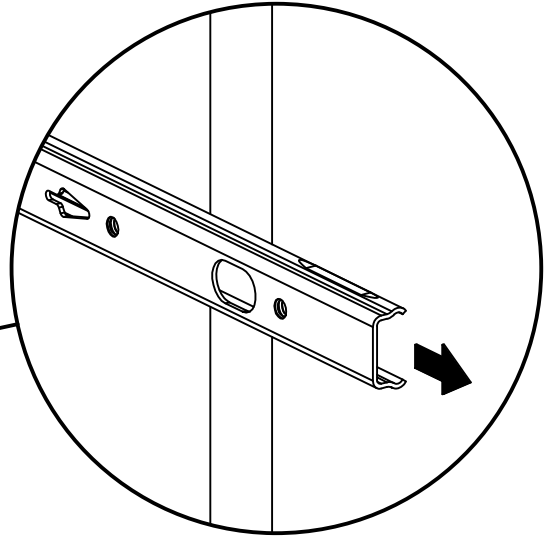
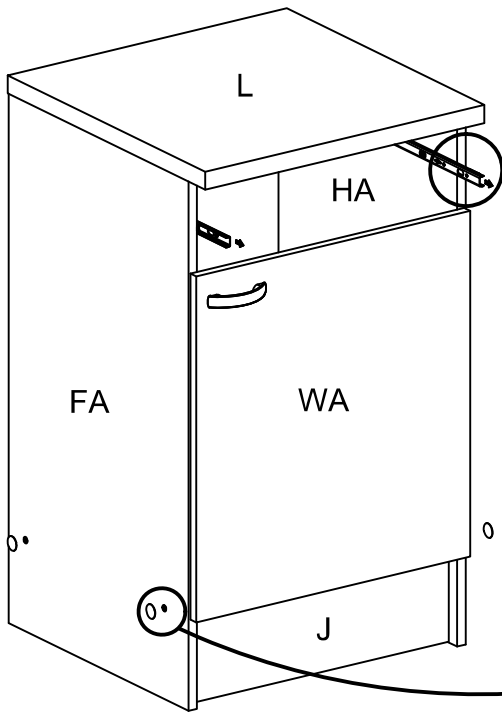
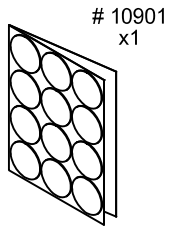
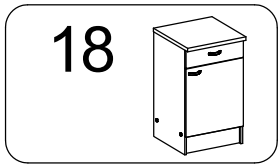


16

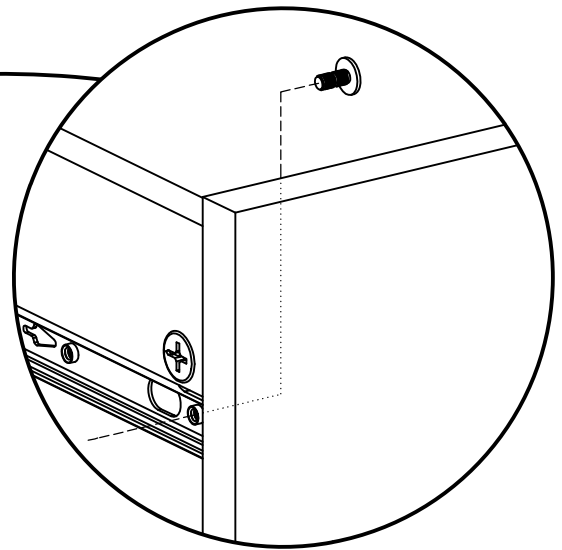
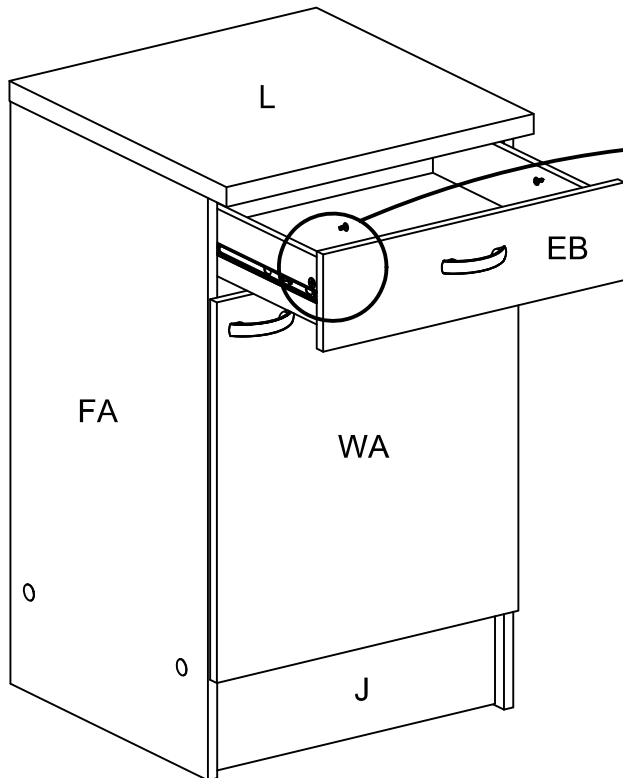
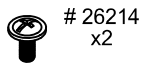
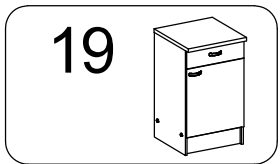


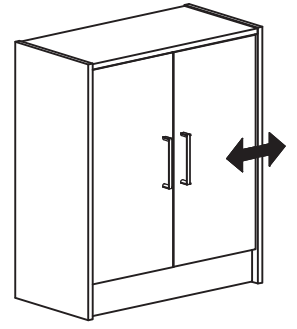
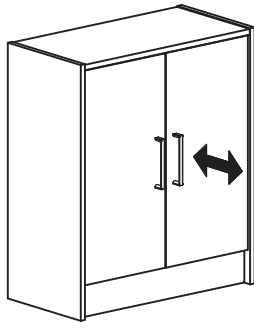
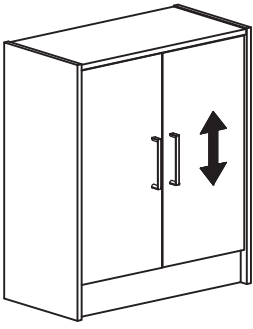
17



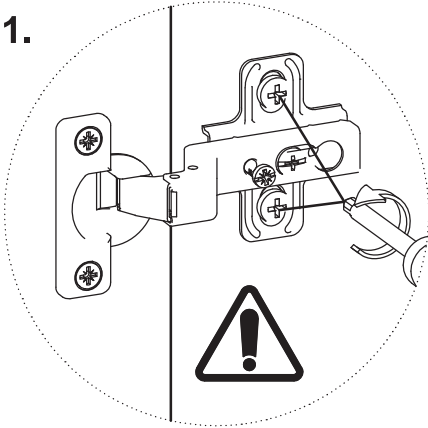


x4

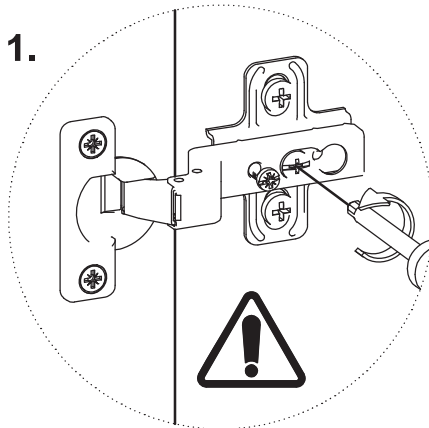




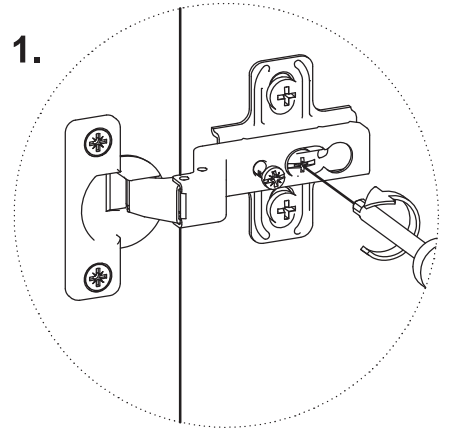
1.



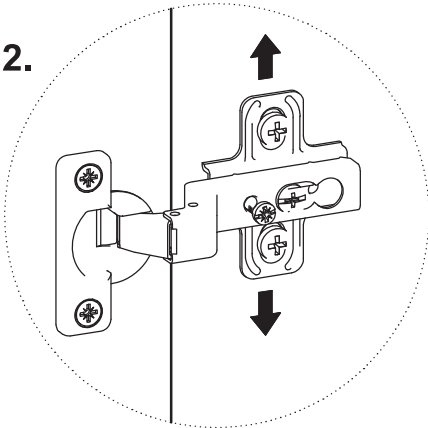
1.



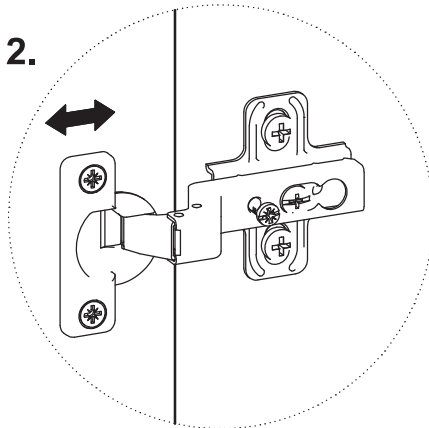
1.



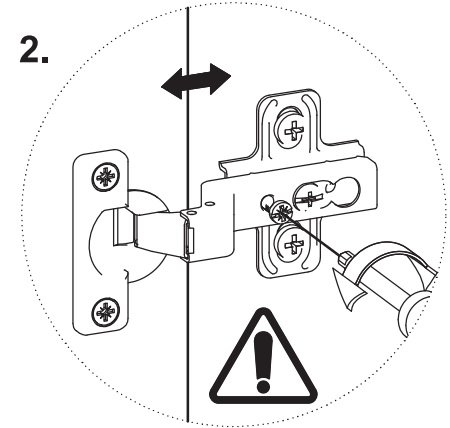
2.



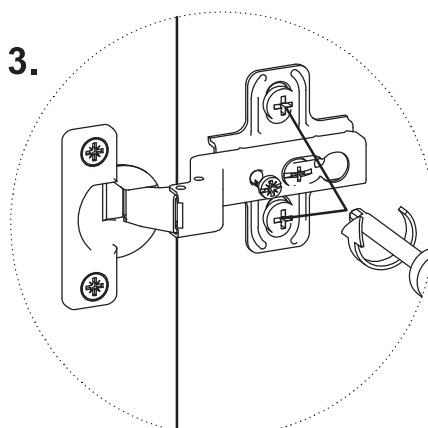
2.



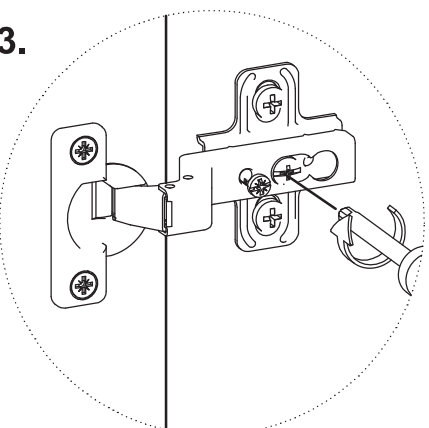
2.



3.



3.



3.

